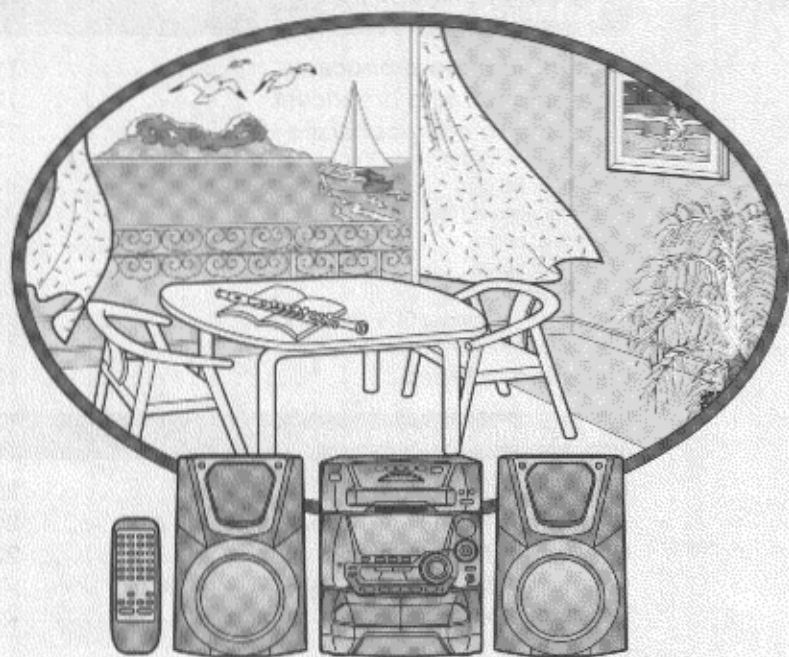


**CD Stereo System**

# **SC-AK25**

**Operating Instructions**



# **Panasonic<sup>®</sup>**

# Dear customer

Thank you for purchasing this product.  
For optimum performance and safety, please read these instructions carefully.

These operating instructions are applicable to the following system.

System	SC-AK25
Main unit	SA-AK25
Speakers	SB-AK25

The model number and serial number of this product can be found on either the back or the bottom of the unit. Please note them in the space provided below and keep for future reference.

MODEL NUMBER \_\_\_\_\_  
SERIAL NUMBER \_\_\_\_\_

**User memo:**

DATE OF PURCHASE \_\_\_\_\_  
DEALER NAME \_\_\_\_\_  
DEALER ADDRESS \_\_\_\_\_  
TELEPHONE NUMBER \_\_\_\_\_

**CAUTION!**

THIS PRODUCT UTILIZES A LASER.  
USE OF CONTROLS OR ADJUSTMENTS OR PERFORMANCE OF PROCEDURES OTHER THAN THOSE SPECIFIED HEREIN MAY RESULT IN HAZARDOUS RADIATION EXPOSURE.  
DO NOT OPEN COVERS AND DO NOT REPAIR YOURSELF. REFER SERVICING TO QUALIFIED PERSONNEL.

**WARNING:**

TO REDUCE THE RISK OF FIRE, ELECTRIC SHOCK OR PRODUCT DAMAGE, DO NOT EXPOSE THIS APPLIANCE TO RAIN, SPLASHING, DRIPPING OR MOISTURE.

**CAUTION:**

TO PREVENT ELECTRIC SHOCK MATCH WIDE BLADE OF PLUG TO WIDE SLOT, FULLY INSERT.

## Table of contents

### Before using

- Supplied accessories ..... 2
- Precautions ..... 4
- Placement of speakers ..... 5
- Concerning the remote control ..... 5
  - Battery installation ..... 5
  - Correct method of use ..... 5
- Connections ..... 6
  - Basic connections (for supplied accessories) ..... 6
  - Optional antenna connections ..... 7
  - External unit connection ..... 7
- Front panel controls ..... 8
- Demo function ..... 10
- Setting the time ..... 10

### Listening operations

- Presetting radio broadcasts ..... 11
- Listening to radio broadcasts ..... 12
- Listening to compact discs ..... 13
  - Loading and checking CDs ..... 13
  - Sequential play ..... 14
  - Direct access play ..... 15
  - Repeat play ..... 15
  - Random play ..... 15
  - Program play ..... 16
  - To listen to special CDs and tracks (CD Manager function) ..... 17
- Listening to tapes ..... 18

### Recording operations

- Before recording (Deck 2 only) ..... 20
- Recording from radio broadcasts ..... 21
- Recording from compact discs ..... 22
  - To record special CDs and tracks (CD Manager function) ... 23
- Tape-to-tape recording ..... 24

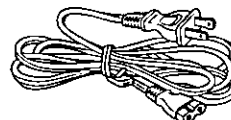
## Supplied accessories



Please check and identify the supplied accessories.  
Use numbers indicated in parentheses when asking for replacement parts.

To order accessories call PASC Accessory Dept.  
1-800-211-7262

- AC power supply cord ..... 1 pc. (SJA172-A)



- FM indoor antenna (RSA0006-J) ..... 1 pc.



Before using

## Sound quality/sound field operation

Using the built-in sound quality/ sound field settings .....	25
Boosting the super woofer .....	25
Varying the sound quality with the acoustic image (AI) equalizer .....	26
Varying the sound quality with the manual equalizer .....	27

## Timer

Using the timer .....	28
Using the play timer .....	28
Using the record timer .....	29
Using the play/record timer .....	30
Using the sleep timer .....	31

## Reference

Using an external unit .....	31
Convenient functions .....	32
Concerning CDs .....	33
Concerning cassette tapes .....	33
Troubleshooting guide .....	34
Maintenance .....	35
Technical specifications .....	Back Cover
Product Service .....	Back Cover
Before moving or shipping this system .....	Back Cover

## CAUTION:

This equipment has been tested and found to comply with the limits for a Class B digital device, pursuant to Part 15 of the FCC Rules.

These limits are designed to provide reasonable protection against harmful interference in a residential installation. This equipment generates, uses and can radiate radio frequency energy and, if not installed and used in accordance with the instructions, may cause harmful interference to radio communications. However, there is no guarantee that interference will not occur in a particular installation. If this equipment does cause harmful interference to radio or television reception, which can be determined by turning the equipment off and on, the user is encouraged to try to correct the interference by one of the following measures:

- Reorient or relocate the receiving antenna.
- Increase the separation between the equipment and receiver.
- Connect the equipment into an outlet on a circuit different from that to which the receiver is connected.
- Consult the dealer or an experienced radio/TV technician for help.

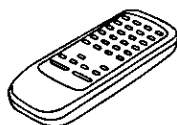
FCC Notice: This system complies with new Part 15, except for the radio receiver, which complies with old Part 15, Subpart C of the FCC Rules. Operation is subject to the following two conditions: (1) This device may not cause harmful interference, and (2) this device must accept any interference received, including interference that may cause undesirable operation. The radio receiver is not subject to above item (2).

Any unauthorized changes or modifications to this equipment would void the user's authority to operate this device.

- AM loop antenna set (RSA0022)
- AM loop antenna .....
  - AM antenna holder .....



- Remote control transmitter .....
- Batteries .....



## CAUTION

**RISK OF ELECTRIC SHOCK  
DO NOT OPEN**



**CAUTION: TO REDUCE THE RISK OF ELECTRIC SHOCK, DO NOT REMOVE SCREWS. NO USER-SERVICEABLE PARTS INSIDE. REFER SERVICING TO QUALIFIED SERVICE PERSONNEL.**



The lightning flash with arrowhead symbol, within an equilateral triangle, is intended to alert the user to the presence of uninsulated "dangerous voltage" within the product's enclosure that may be of sufficient magnitude to constitute a risk of electric shock to persons.



The exclamation point within an equilateral triangle is intended to alert the user to the presence of important operating and maintenance (servicing) instructions in the literature accompanying the appliance.

## Precautions

Before using this unit please read these operating instructions carefully. Take special care to follow the warnings indicated on the unit itself as well as the safety suggestions listed below. Afterwards keep them handy for future reference.

Before using

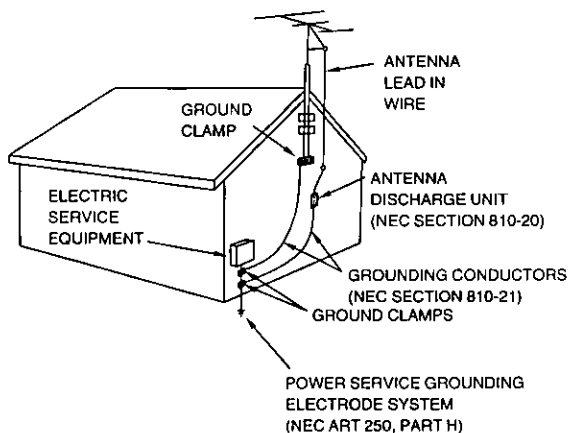
### Safety

1. **Power Source**—The unit should be connected to power supply only of the type described in the operating instructions or as marked on the unit.
2. **Polarization**—If the unit is equipped with a polarized AC power plug (a plug having one blade wider than the other), that plug will fit into the AC outlet only one way. This is a safety feature. If you are unable to insert the plug fully into the outlet, try reversing the plug. If the plug should still fail to fit, contact your electrician to replace your obsolete outlet. Do not defeat the safety purpose of the polarized plug.
3. **Power Cord Protection**—AC power supply cords should be routed so that they are not likely to be walked on or pinched by items placed upon or against them. Never take hold of the plug or cord if your hand is wet, and always grasp the plug body when connecting or disconnecting it.
4. **Nonuse Periods**—When the unit is not used, turn the power off. When left unused for a long period of time, the unit should be unplugged from the household AC outlet.

### Installation

#### Environment

1. **Outdoor Antenna Grounding**—If an outside antenna is connected to the receiver, be sure the antenna system is grounded so as to provide some protection against voltage surges and built-up static charges. Section 810 of the National Electrical Code, ANSI/NFPA No. 70-1990, provides information with respect to proper grounding of the mast and supporting structure, grounding of the lead-in wire to an antenna discharge unit, size of grounding conductors, location of antenna-discharge unit, connection to grounding electrodes, and requirements for the grounding electrode. See figure below.




NEC—NATIONAL ELECTRICAL CODE

2. **Water and Moisture**—Do not use this unit near water—for example, near a bathtub, washbowl, swimming pool, or the like. Damp basements should also be avoided.

3. **Heat**—The unit should be situated away from heat sources such as radiators and the like. It also should not be placed in temperatures less than 5°C (41°F) or greater than 35°C (95°F).
4. **Condensation**—Moisture may form on the lens in the following conditions...
  - immediately after a heater has been turned on.
  - in a steamy or very humid room.
  - when the unit is suddenly moved from a cold environment to a warm one.If moisture forms inside this unit, it may not operate properly. To correct this problem, turn on the power and wait about one hour for the moisture to evaporate.

### Placement

1. **Ventilation**—The unit should be situated so that its location or position does not interfere with its proper ventilation. Allow 10 cm (4") clearance from the rear of the unit.
2. **Foreign Material**—Care should be taken so that objects do not fall into and liquids are not spilled into the unit. Do not subject this unit to excessive smoke, dust, mechanical vibration, or shock.
3. **Magnetism**—The unit should be situated away from equipment or devices that generate strong magnetic fields.
4. **Stacking**—Do not place heavy objects, other than system components, on top of the unit.
5. **Surface**—Place the unit on a flat, level surface.
6. **Carts and Stands**—The unit should be used only with a cart or stand that is recommended by the manufacturer. The unit and cart combination should be moved with care. Quick stops, excessive force, and uneven surfaces may cause the unit and cart combination to overturn. 
7. **Wall or Ceiling Mounting**—The unit should not be mounted to a wall or ceiling, unless specified in this operating instructions.

### Maintenance

(See page 35 for details.)

Clean the cabinet, panel and controls with a soft cloth lightly moistened with mild detergent solution. Do not use any type of abrasive pad, scouring powder or solvent such as alcohol or benzene.

### Service

1. **Damage Requiring Service**—The unit should be serviced by qualified service personnel when:
  - (a) The AC power supply cord or the plug has been damaged; or
  - (b) Objects have fallen or liquid has been spilled into the unit; or
  - (c) The unit has been exposed to rain; or
  - (d) The unit does not appear to operate normally or exhibits a marked change in performance; or
  - (e) The unit has been dropped, or the enclosure damaged.
2. **Servicing**—The user should not attempt to service the unit beyond that described in the operating instructions. All other servicing should be referred to an authorized service personnel. (Only for U.S.A.)  
Call 1-800-211-7262 for the address of an authorized factory servicenter.

## Listening caution



Selecting fine audio equipment such as the unit you've just purchased is only the start of your musical enjoyment. Now it's time to consider how you can maximize the fun and excitement your equipment offers. This manufacturer and the Electronic Industries Association's Consumer Electronics Group want you to get the most out of your equipment by playing it at a safe level. One that lets the sound come through loud and clear without annoying blaring or distortion—and, most importantly, without affecting your sensitive hearing.

We recommend you to avoid prolonged exposure to excessive noise.

Sound can be deceiving. Over time your hearing "comfort level" adapts to higher volumes of sound. So what sounds "normal" can actually be loud and harmful to your hearing.

Guard against this by setting your equipment at a safe level BEFORE your hearing adapts.

To establish a safe level:

- Start your volume control at a low setting.
- Slowly increase the sound until you can hear it comfortably and clearly, and without distortion.

Once you have established a comfortable sound level:

- Set the dial and leave it there.

Taking a minute to do this now will help to prevent hearing damage or loss in the future. After all, we want you listening for a lifetime.

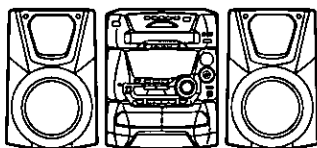
## Placement of speakers

For your listening pleasure, keep your speakers from touching the system.

Speakers are designed identically so that no left or right channel orientation is necessary.

### Note!

You cannot take the front net off the speakers.

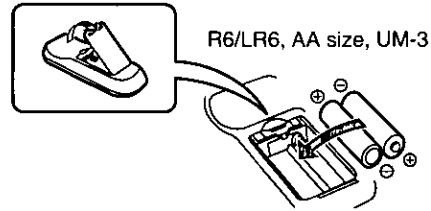


### Caution

Use the speakers only with the recommended system. Failure to do so may lead to damage to the amplifier and/or the speakers, and may result in the risk of fire. Consult a qualified service person if damage has occurred or if you experience a sudden change in performance.

## Concerning the remote control

### Battery installation



Insert the batteries observing the correct polarities (+, -).

### Use of batteries

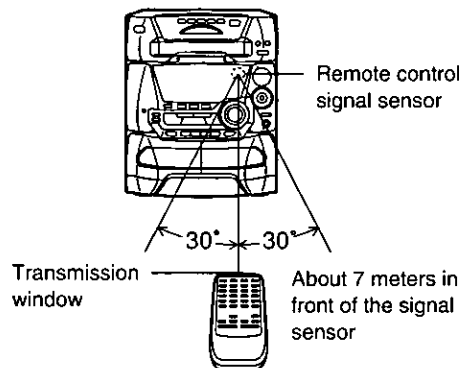
- Do not mix old and new batteries, or batteries of different types (manganese and alkaline, etc.).
- Never subject batteries to excessive heat or flame; do not attempt to disassemble them; and be sure they are not short-circuited.
- If the remote control is not to be used for a long period of time, remove the batteries and store them in a cool, dark place.
- Do not attempt to recharge alkaline or manganese batteries.
- Do not use rechargeable type batteries.

### Battery life

The battery life is about one year.

The batteries should be replaced if commands from the remote control transmitter do not operate the unit even when the transmitter is held close to the front panel.

### Correct method of use

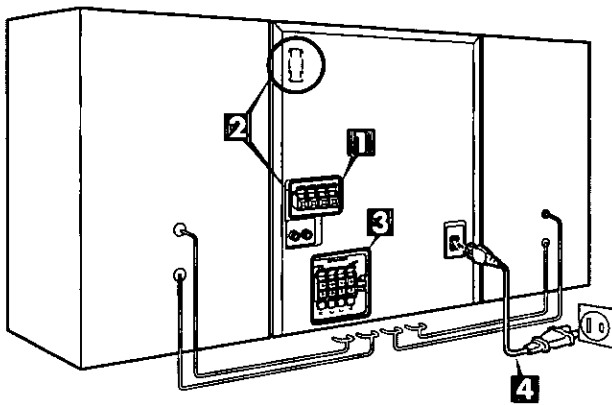


### Operation notes

- Do not place obstacles between the remote control signal sensor and remote control unit.
- Do not expose the remote control signal sensor to direct sunlight or to the bright light of an inverter fluorescent light.
- Take care to keep the remote control signal sensor and end of the remote control unit free from dust.
- If this system is installed in a rack with glass doors, the glass doors' thickness or color might make it necessary to use the remote control a shorter distance from the system.

### To prevent damage

- Never place heavy items on top of the unit.
- Do not disassemble or reconstruct the unit.
- Do not spill water or other liquids into the unit.



### 1

Adhesive tape

FM indoor antenna

### 2

Antenna holder

AM loop antenna

### 3

HIGH LOW

Red (+)

Black (-)

Gray (+)

Blue (-)

## Connections

### Basic connections (for supplied accessories)

- Plug the AC power cord into a household AC outlet only after all other connections have been made.
- To prepare the AM loop antenna, the FM antenna wire and speaker cords, twist the vinyl cover tip and pull off.

#### 1 Connect the FM indoor antenna.

Tape the antenna to a wall or column, in a position where radio signals are received with the least amount of interference.

#### Note

For best reception sound quality:

An FM outdoor antenna is recommended. (See page 7.)

#### 2 Connect the AM loop antenna.

After attaching the antenna, turn on the system and tune in a broadcast station. Then, turn the antenna to the angle of best reception and least interference.

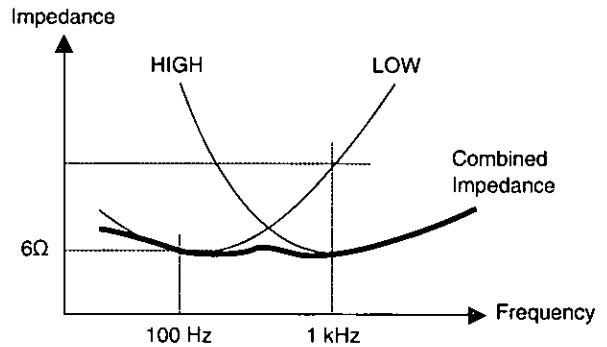
#### 3 Connect the speaker cables.

Connect each end of the speaker cables to the terminal lever of the same color.

**When speakers are connected to the low and high terminals on the back of the main unit**

They are designed to have a combined impedance of 6Ω.

Be sure to use only the speakers supplied.

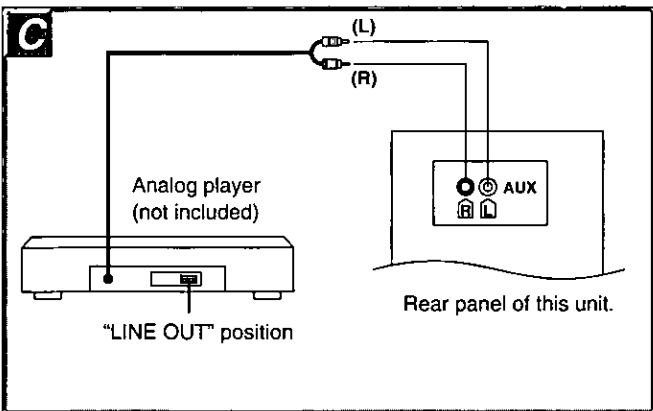
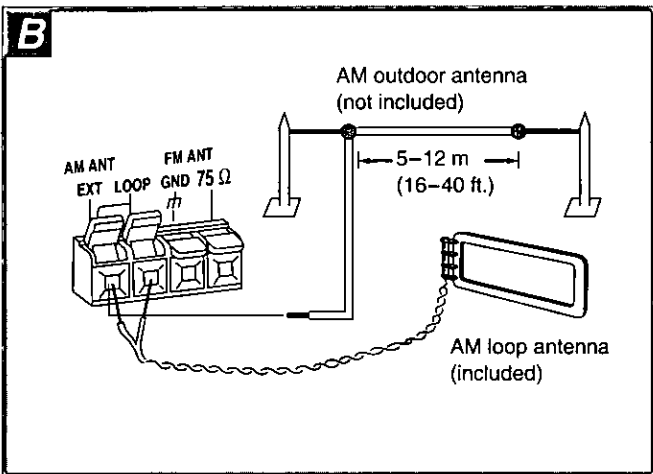
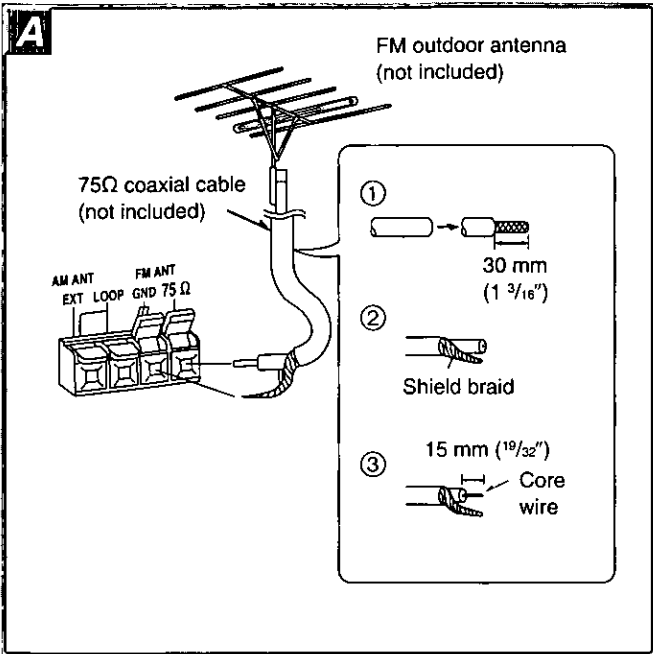


#### Caution

• Never use speakers other than those supplied. For instance, if you connect speakers with an impedance of 6Ω each and plug them into the low and high terminals, you will only have a combined impedance of 3Ω.

• To prevent damage to circuitry, never short-circuit positive (+) and negative (-) speaker wires.

#### 4 Connect the AC power cord.



## Connections

### Optional antenna connections

You may need an outdoor antenna if you use this system in a mountainous region or inside a reinforced-concrete building, etc.

#### FM outdoor antenna **A**

Disconnect the FM indoor antenna if an FM outdoor antenna is installed.

- ① Remove a piece of the outer vinyl insulator.
- ② Twist the shield braid.
- ③ Expose the core wire.

#### Note

An outdoor antenna should be installed by a qualified technician only.

#### AM outdoor antenna **B**

Connect the outdoor antenna without removing the AM loop antenna. Run 5 to 12 m of vinyl-covered wire horizontally along a window or other convenient location.

#### Note

When the unit is not in use, disconnect the outdoor antenna to prevent possible damage that may be caused by lightning. Never use an outdoor antenna during an electrical storm.

### External unit connection **C**

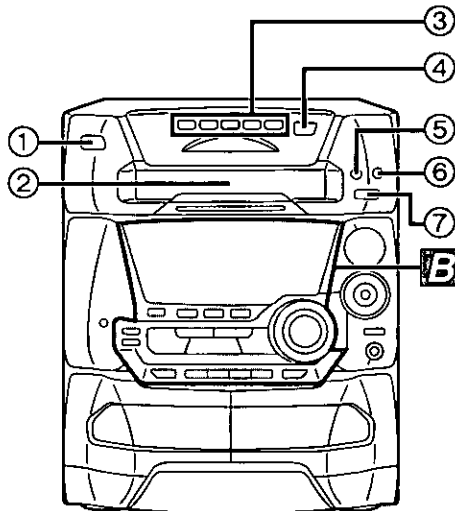
- For details, refer to the instruction manual of the units which are to be connected.
- This example shows how to connect an analog player with the PHONO OUT/LINE OUT switch.
- When units other than those described below are to be connected, please consult with your audio dealer.

#### Note

- Only an analog player with a built-in phono equalizer can be connected.
- Set the switch to the "LINE OUT" position at the back of the analog player.





## Front panel controls

**A**








Before using

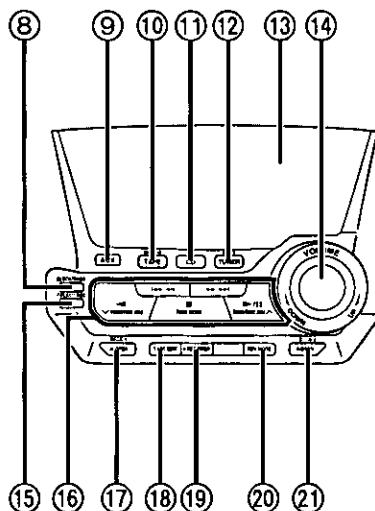
### Main unit

No.	Name	Ref. page
①	Power "STANDBY  /ON" switch (POWER, STANDBY  ) . . . . .	10
	Press to switch the unit from on to standby mode or vice versa. In standby mode, the unit is still consuming a small amount of power.	
②	Disc tray	
③	Disc select buttons and indicators (DISC 1–DISC 5) . . . . .	13
④	CD manager button (CD MANAGER) . . . . .	17, 23
⑤	Disc tray open/close button (  OPEN/CLOSE) . . . . .	13
⑥	Disc check open button (  NEXT OPEN) . . . . .	13
⑦	Random play button (RANDOM) . . . . .	15

### Center console

No.	Name	Ref. page
⑧	Clock/timer button (CLOCK/TIMER) . . . . .	10, 28, 29
⑨	AUX button (AUX) . . . . .	31
⑩	Tape/deck select button (TAPE, DECK 1/2) . . . . .	18
⑪	CD button (CD) . . . . .	14
⑫	Tuner/band select button (TUNER, BAND) . . . . .	11
⑬	Display	
⑭	Volume control (VOLUME) . . . . .	12
⑮	Play timer/record timer button (  PLAY/  REC) . . . . .	28, 29
⑯	Basic operating buttons Functions change according to the source.	
⑰	Deck 1 open button (  OPEN, DECK 1) . . . . .	18
⑱	Tape edit button (TAPE EDIT) . . . . .	24
⑲	Recording start/stop button (  REC/STOP) . . . . .	21
⑳	Reverse mode select button (REV MODE) . . . . .	18
㉑	Deck 2 open button (  OPEN, DECK 2) . . . . .	18

**B**

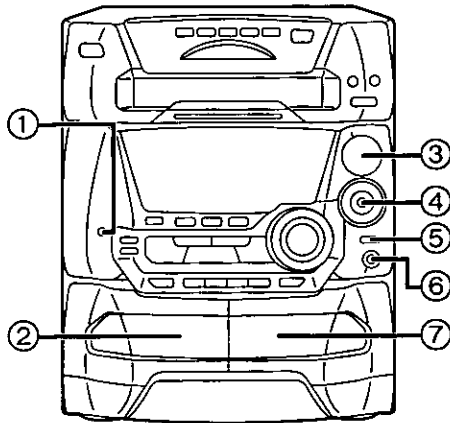




## Front panel controls

### Main unit (continued)

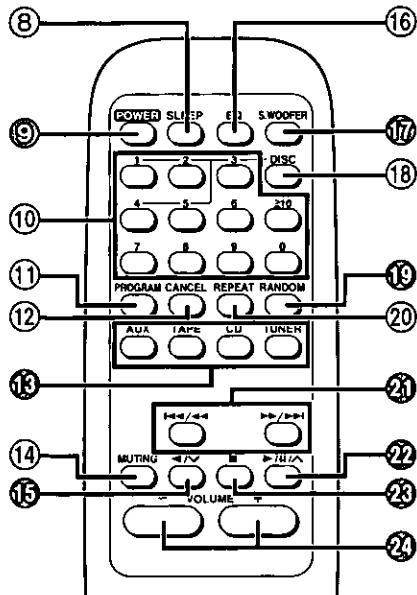
No.	Name	Ref. page
①	Display select/demonstration button (-DISPLAY/-DEMO) .....	10, 32
②	Deck 1 cassette holder .....	18
③	Acoustic image equalizer display (AI EQ) .....	26
④	Sound equalizer control/indicators (SOUND EQ) .....	25
⑤	Super woofer on/off button (S. WOOFER) .....	25
⑥	Headphone jack (PHONES) .....	31
⑦	Deck 2 cassette holder .....	18



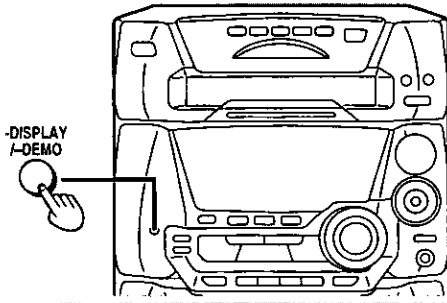
### Remote control

Buttons such as ⑨ function in exactly the same way as the buttons on the main unit.

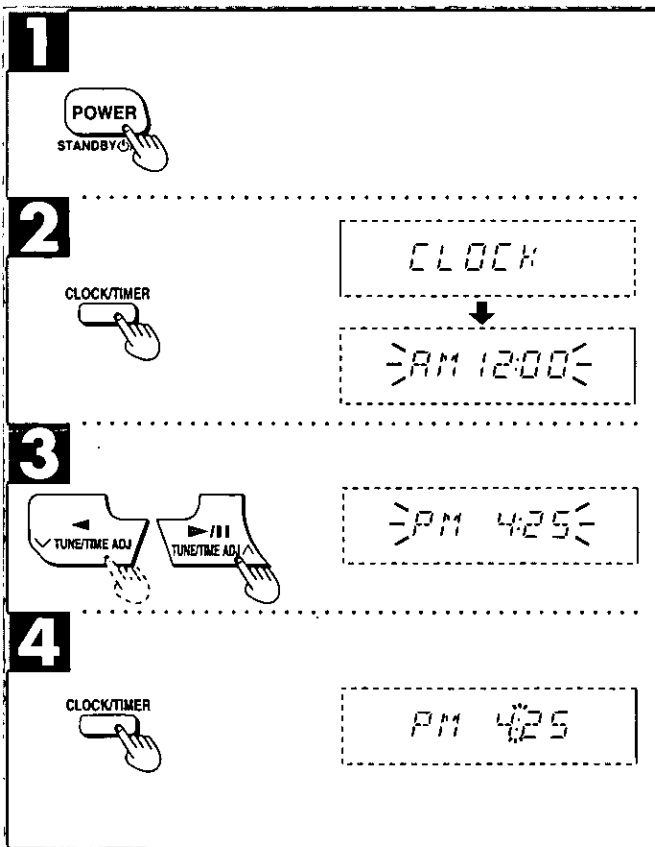
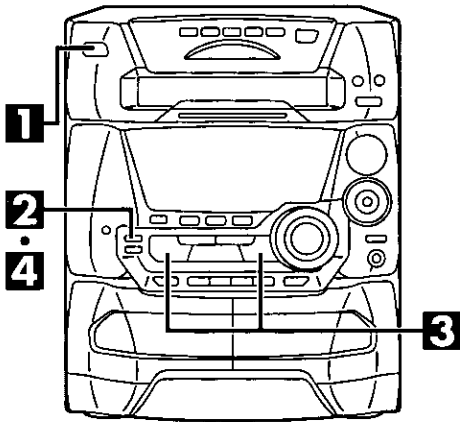
No.	Name	Ref. page
⑧	Sleep button (SLEEP) .....	31
⑨	Power button (POWER) .....	10
⑩	Numeric buttons .....	16
⑪	Program button (PROGRAM) .....	16
⑫	Cancel button (CANCEL) .....	16
⑬	Input selection buttons (AUX, TAPE, CD, TUNER) .....	11, 14, 18, 31
⑭	Muting button (MUTING) .....	32
⑮	</v button (</v) .....	12, 18
⑯	Equalizer button (EQ) .....	25
⑰	Super woofer on/off button (S. WOOFER) .....	25
⑱	Disc button (DISC) .....	16
⑲	Random button (RANDOM) .....	15
⑳	Repeat button (REPEAT) .....	15
㉑	⏮/⏪ ⏩/⏭ buttons (⏮/⏪ ⏩/⏭) .....	14, 19
㉒	▶/⏸/⏹ button (▶/⏸/⏹) .....	12, 14, 18
㉓	Stop button (⏹) .....	14, 18
㉔	Volume buttons (- VOLUME +) .....	12



**A**



**B**



**Demo function**

When the demo function is activated, a demonstration of the spectrum analyzer using space travel images is shown on the display panel.

**Turning the demo function ON/OFF**

Press POWER and hold down DISPLAY/DEMO. Every time you hold down the button;

DEMO (ON) ← → NO DEMO (OFF)

When the demo function is ON, the demo is played automatically in the following cases.

•When system is ON

If the input source is set to CD or tape, and the system is left on standby for more than 2 minutes

•When system is OFF

If the clock has not been set

**Setting the time**

This is a 12-hour display clock.

This example in the figure shows how to set the time for 4:25 p.m.

- 1** Switch on the power.
- 2** Press CLOCK/TIMER to select "CLOCK".  
Every time you press the button;  
CLOCK → ◯ PLAY → ◯ REC  
← Previous display ←
- 3** (within 7 seconds or so)  
Press  $\nabla$  or  $\blacktriangle$  to show the present time.
- 4** Press CLOCK/TIMER to finish setting the time.  
The display will return to whatever was displayed before you set the time.

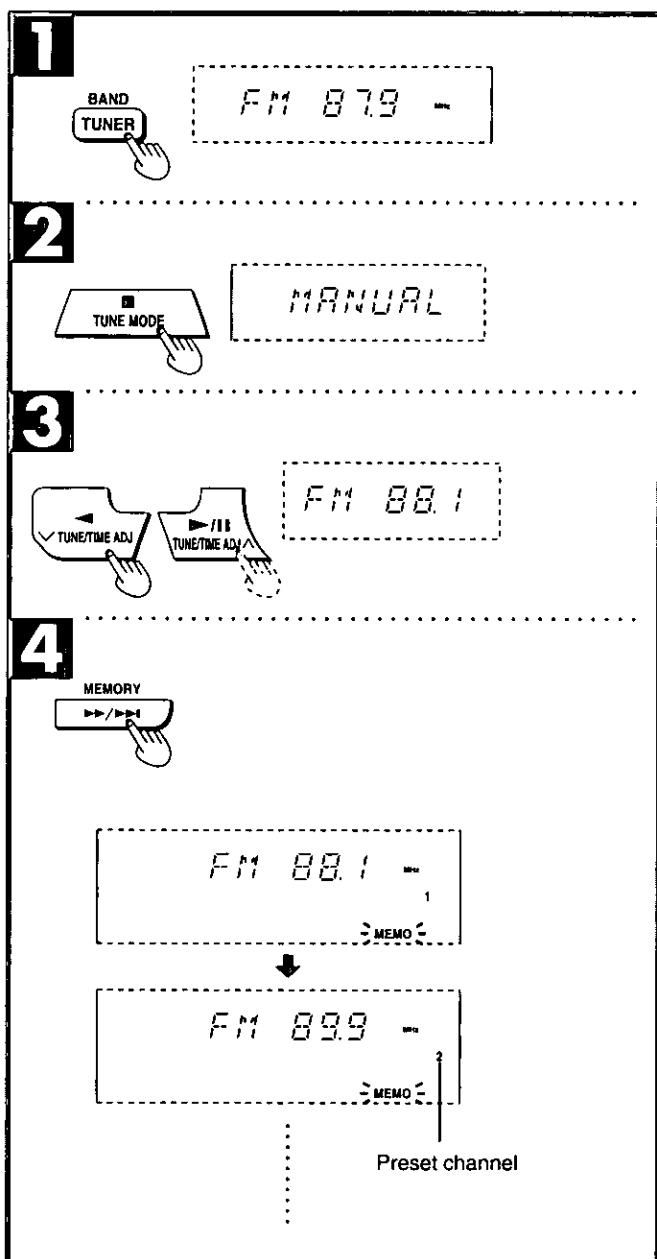
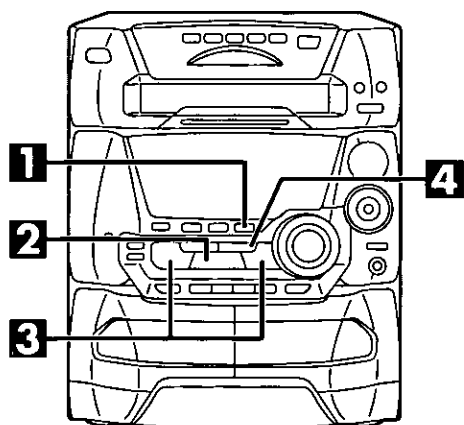
**To display the time when power is ON**

Press CLOCK/TIMER to select "CLOCK".

The time will be displayed for about 5 seconds and then the display will return to whatever was previously displayed.

## Presetting radio broadcasts

- Up to 12 stations can be set in each band with the automatic or manual memory presetting.
- If broadcast frequencies are preset in the memory, you can easily tune in any of these frequencies from the system or remote control unit.
- You can preset just those stations you like. (See "Presetting only your favorite stations" below.)



### 1 Press TUNER BAND to select band.

The power will come on automatically.  
Every time you press the button; "FM" ↔ "AM".

### 2 Press TUNE MODE to select "MANUAL".

Every time you press the button; "MANUAL" ↔ "PRESET".

### 3 Press $\nabla$ or $\blacktriangle$ until the display shows the frequency from which you want to begin automatic memory presetting.

#### Tips on tuning in radio stations

- ① Hold down either arrow button until the frequency numbers start scrolling.
- ② When near to the frequency you are looking for, press the button repeatedly until the station tuned in.

### 4 Press and hold MEMORY until the frequency begins to change.

This will start presetting automatically. When finished, the radio will tune in last station memorized.

If auto presetting is not possible because radio signals are weak or for some other reason, do the following.

## Presetting only your favorite stations

### Preset the stations one at a time.

1. Perform step 1 above. Then, press MEMORY ("MEMO" flashes) and select a station with  $\nabla$  or  $\blacktriangle$ .
2. While "MEMO" is flashing press MEMORY again and select a preset channel with  $\nabla$  or  $\blacktriangle$ .
3. Press MEMORY to preset the station.

### Memory retention

Your preset is retained in memory for about 2 weeks while the system is unplugged.

## FM allocation setting

By adjusting the allocation, you can enable this tuner to receive FM broadcasts allocated in 0.1 MHz steps.

1. Press and hold TUNER BAND for approximately 5 seconds.  
The frequency display will be returned to the minimum frequency of the FM band and the display will begin to flash.  
Keep holding for approximately 5 more seconds.
2. When the display stops flashing and indicates a different frequency number, release TUNER BAND.  
To return to the original frequency, repeat steps 1 to 2 above.

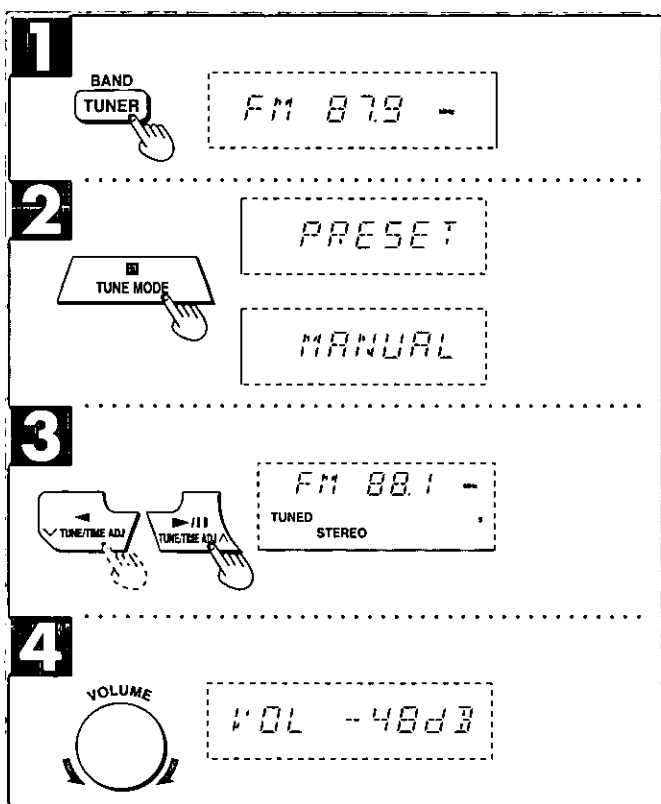
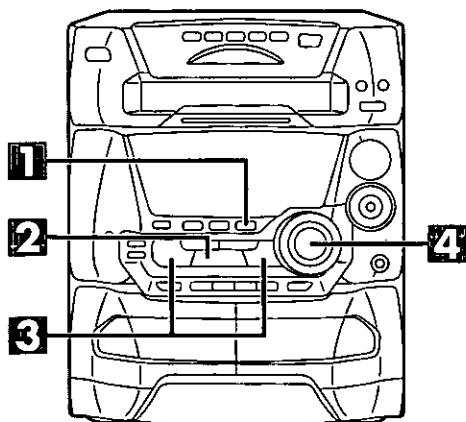
### Note

After changing the "allocation" setting, the frequencies you previously preset in the memory will be cleared.

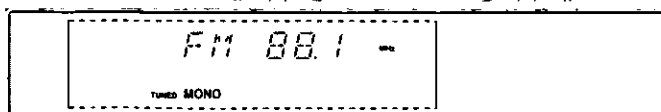
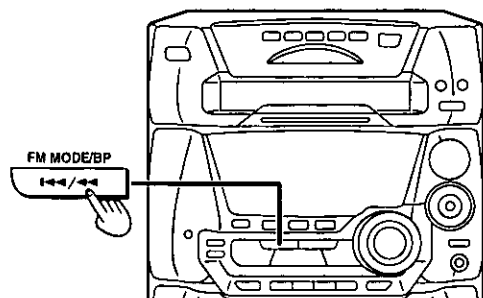
### Memory retention

Your preset is retained in memory for about 2 weeks while the system is unplugged.

## Listening to radio broadcasts



**A**



### 1 Press TUNER BAND to select band.

The power will come on automatically.  
Every time you press the button; "FM" ↔ "AM".

### 2 Press TUNE MODE to select "PRESET" or "MANUAL".

Every time you press the button; "MANUAL" ↔ "PRESET".

PRESET: For preset stations  
MANUAL: For non-preset stations

### 3 Press ∇ or ▲ to select the desired broadcast.

"STEREO" lights when an FM stereo broadcast is being received. "TUNED" lights when you precisely tune in a broadcast station.

### 4 Adjust the volume level.

#### Auto tuning

Auto tuning is an easy way to tune in non-preset stations in the "MANUAL" mode.

Hold down either ∇ or ▲, and release the button when the frequency starts scrolling.

The radio will stop automatically on the first station it picks up.

•When there is outside interference, the radio sometimes stops on a certain frequency where no station is broadcasting.

#### To stop auto tuning

Press either ∇ or ▲ again.

#### If noise is excessive in the FM stereo mode **A**

Press FM MODE/BP. "MONO" will light up.

Sound will be produced in monaural, but this also reduces noise.

Press the button again to cancel. "MONO" will go out.

Normally, you'll want to listen in stereo, so leave "MONO" off. This way, you can listen to stereo broadcasts in stereo, and monaural broadcasts in mono.

You can preset an FM station in monaural by following the steps under "Presetting only your favourite stations" on page 11.

After selecting the station in step 1, select "MONO" with FM MODE/BP, then continue with step 2 and 3.

#### Note

•If you preset stations in memory, you can tune in a preset station by simply selecting the preset channel with the numeric buttons on the remote control.

1. Press TUNER on the remote control.

2. Press the numeric button(s) to select the preset channel.

To select a two-digit station.

Press ≥10 and then the two numbers you want within 10 seconds.

•Sound is momentarily interrupted if you load/unload tapes while listening to an AM broadcast.

## Listening to compact discs

### Loading and checking CDs

Always stop the changer before loading or changing CDs. You cannot change CDs while a disc is playing.

#### How to load CDs

- 1** Press **DISC 1–DISC 5**, whichever you want to open.  
The power will come on automatically.
- 2** Press **▲ OPEN/CLOSE**.  
The selected tray will open.
- 3** Set CD in the tray.
- 4** Press **▲ OPEN/CLOSE**.  
The tray will close and the disc No., number of tracks and total playing time will be shown on the display.

To load several CDs consecutively or to check which trays have discs

Press **▲ NEXT OPEN**.

Every time you press the button, the next tray will open. After loading all the CDs you want, press **▲ OPEN/CLOSE** to close the trays.

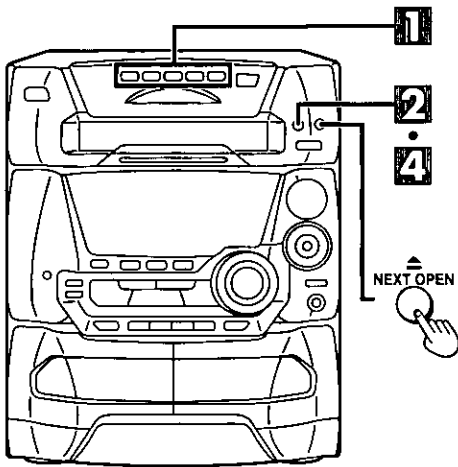
#### Disc indicators (DISC 1–DISC 5)

These indicate the selected tray (in the play position) regardless of whether a CD is on the tray or not.

#### To prevent damage

Always observe the following points.

- Load only 1 CD per tray. **A**
- Load CDs as shown in figure **B**.  
The adapter is not needed with 8 cm CDs (singles).
- Set the system on a flat, level surface.  
Do not set it on top of magazines, inclined surfaces, etc.
- Do not move the system while trays are opening/closing, or when loaded.  
Always unload all CDs and set the system to "shipping mode" (back cover) before moving the system.
- Do not put anything except CDs in trays.
- Do not use cleaning CDs or CDs which are badly warped or cracked.
- Do not use CDs with poorly attached labels or stickers.  
Adhesive protruding from underneath stickers or left over from peeled off stickers can cause your stereo to malfunction.
- Do not use irregular shape CDs (heart-shape, octagonal, etc.). **C**



**1** DISC 1 DISC 2 DISC 3 DISC 4 DISC 5

NO DISC

**2** DISC 3 OPEN

3 OPEN

**3**

Label must face upward.

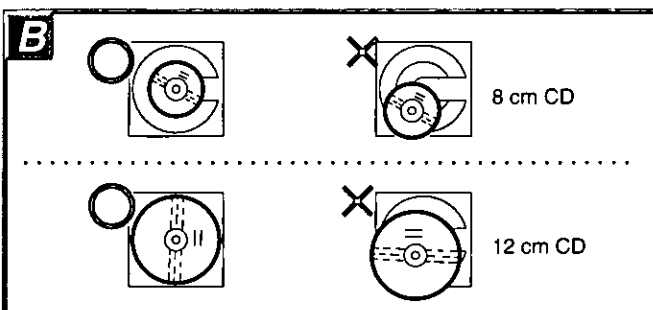
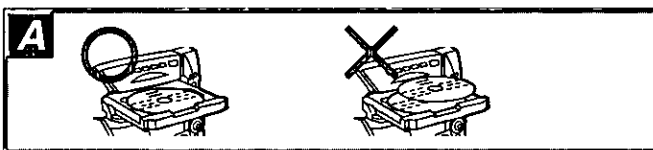
Disc number

**4**

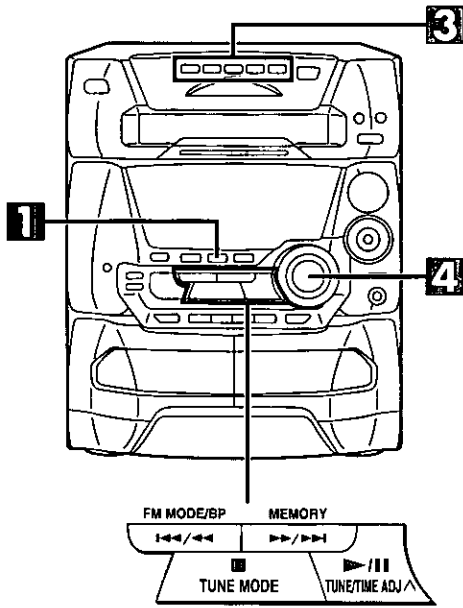
Number of tracks

DISC 3 16 48:52

Disc number      Total playing time



**Sequential play**



- 1 Press CD.**  
The power will come on automatically.
- 2 Insert CDs in the trays.**  
(For details, see page 13.)
- 3 Press DISC 1-DISC 5 to select the disc you want.**  
(If the desired CD is indicated on the display panel, the same operation can be accomplished by pressing ►/||.)  
Play will start from the first track on the selected disc, and will continue until the last track of the final disc is played (see below).
- 4 Adjust the volume level.**

To stop the disc play  
Press ■.

When "➤" appears on the display **▣**  
It indicates there are 13 or more tracks on the disc in the playing position.

**What is meant by "final disc"?**  
For example, if play starts from disc 4, disc 3 will be the "final disc".  
**Order of progression:**  
Disc 4→5→1→2→3

**1**

CD

NO DISC

---

**3**

DISC 1 DISC 2 DISC 3 DISC 4 DISC 5

DISC 4 CHANGE

Track number

DISC 4 | 001

Elapsed playing time (of current track number)

---

**4**

VOLUME

VOL -48dB

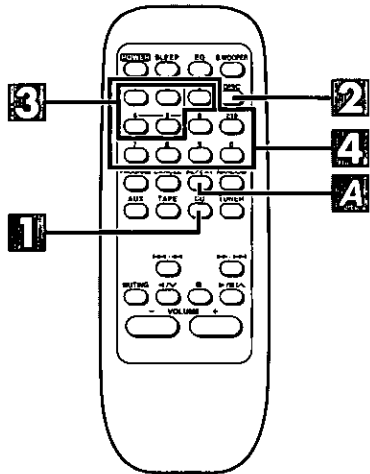
<b>To pause</b>	Press ►/   during playback. To resume playback, press ►/  .
<b>To search forward/backward (Search)</b>	Hold down ◀◀/▶▶ (backward) or ▶▶/▶▶ (forward) during playback or pause mode.
<b>To skip forward/backward</b>	Press ◀◀/▶▶ (backward) or ▶▶/▶▶ (forward) during playback or pause mode.

- Note**
- During random play (page 15), you cannot skip to tracks which have already been played.
  - During program play (page 16) or random play, you can search forward or backward only within the current track.
  - During program play, skipping is always in the programmed order, whether forward or backward.

**A**

1 2 3  
4 5 6  
7 8 9  
10 11 12

▶



### Direct access play

(by remote control only)

- 1** Press CD.
- 2** Press DISC.
- 3** (within 10 seconds or so)  
Press 1-5 to select the disc you want.
- 4** Press the numeric button to select the desired track number.  
The CD will be played from the selected track to the last track of the final disc (page 14).

#### To select a two-digit track

Press  $\geq 10$  and then the two numbers you want within 10 seconds or so.

#### For example

Track no. 20:  $\geq 10 \rightarrow 2 \rightarrow 0$   
Track no. 35:  $\geq 10 \rightarrow 3 \rightarrow 5$

### Repeat play

(by remote control only)

- Press REPEAT before or during play. **A**  
All tracks on the loaded CD are repeated.

#### To cancel repeat play

Press REPEAT once again.

#### To repeat your favorite tracks

1. Program the tracks you want (page 16).
2. Press REPEAT and make sure "☺" is displayed.
3. Press  $\triangleright / \parallel / \triangleleft$ . Playback will start.

#### To repeat just one track

Set the 1-TRACK mode (page 17), press REPEAT before or during playback, and make sure "☺" is displayed.

### Random play

#### Press RANDOM. **B**

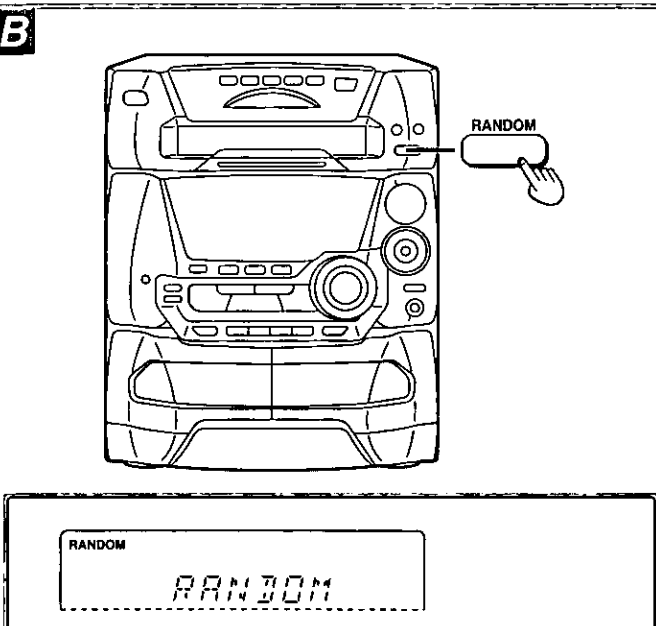
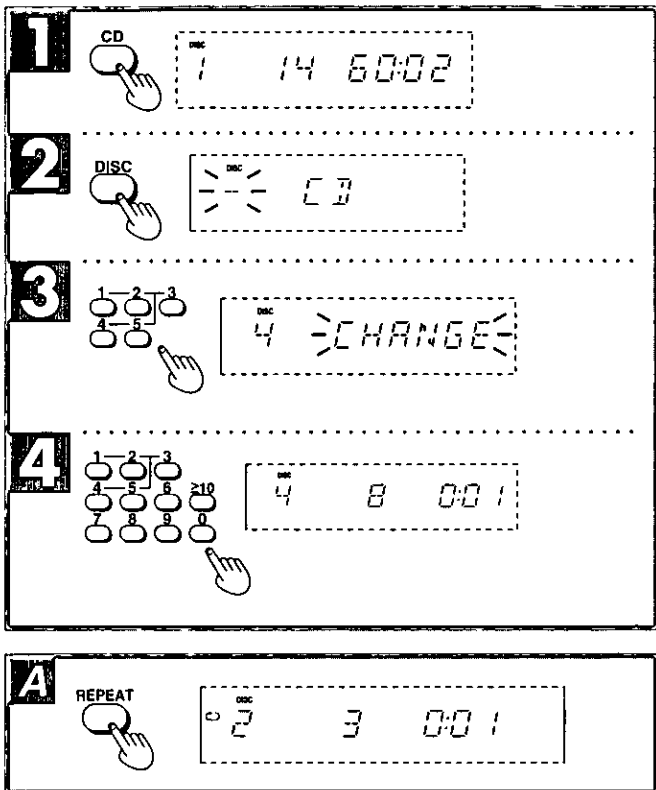
All tracks on the loaded CDs will be played in random order. Playback will stop automatically when all tracks have been played.

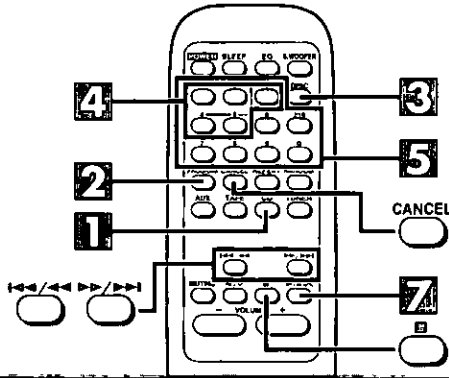
#### To cancel random play

Press RANDOM once again.

#### (Note)

You can use random play with your program. Only the programmed tracks will be played, but in random order.





**1** CD

**2** PROGRAM

**3** DISC

**4** Specified disc number

**5** Specified track number Program order

**7**

**A**

**B** Indicates program mode

**Program play**

**[by remote control only]**

You can program up to 24 tracks.

- 1** Press CD.  
Ensure CD is stopped.
- 2** Press PROGRAM.
- 3** Press DISC.
- 4** (within 10 seconds or so)  
Press 1–5 to select the disc you want.
- 5** Press the numeric buttons to select the desired track.
- 6** Repeat steps 3 through 5 until you have programmed all the tracks you want.
- 7** Press . Play will start in the programmed sequence.

**To cancel program play mode**

Press PROGRAM in the stop mode.

Programmed contents will be saved in memory.

Pressing will cancel program play, but it will also erase the entire program.

**To select a two-digit track**

Press  $\geq 10$  and then the two numbers you want.

**When "CD FULL" appears**

The number of programmed tracks is limited to 24. No further tracks can be programmed.

**You can do the following during program mode**

- Check program contents.  
Press or .
- Add to the program.  
Repeat steps 3 through 5.
- Cancel entries.

From the last programmed track	Press CANCEL.
A specified track only	Select the track with  or , and press CANCEL within 3 seconds.
All tracks	Press .

**Memory retention**

Your program is retained in memory for about 2 weeks while the system is unplugged.

**To replay your program**

If you turned OFF your program with PROGRAM, you can play it again as explained below.

1. Press PROGRAM.
2. Press .

**If you program a track not on your CDs**

The track is initially programmed, but during program play, the player will skip that track and will continue playing from the next programmed item.



**To listen to special CDs and tracks  
(CD Manager function)**

This function makes it easier for you to select special CDs and tracks from amongst those loaded in the player.

You can use this function to make recordings as well.

**There are 3 CD/track selection modes.**

- For playing back 1 track only from all loaded CDs  
1-Track mode (1-TRACK)
- For playing back 1 CD only from all loaded CDs  
1-Disc mode (1-DISC)
- For playing back 1 track on all loaded CDs  
1-Track All-Disc mode (1-ALL)

**1 Press CD.**

Ensure CD is stopped.

**2 Press CD MANAGER to select the desired mode.**

Every time you press the button;

1-TRACK → 1-DISC → 1-ALL  
 ↑ NORMAL ↓  
 (OFF)

1-TRACK: Only one particular track is played.

1-DISC: The tracks on only one particular disc are played.

1-ALL: The same track numbers on each of the CDs are played in succession.

(NORMAL: The original display is restored in about 3 seconds.)

**3 Press DISC 1-DISC 5 to select the disc you want.**

**Note**

This step is not required if 1-ALL was selected in step 2.

**4 Press <<</>>> or >>>/<<< to select the desired track.**

**Note**

This step is not required if 1-DISC was selected in step 2.

**5 Press >/||.**

The selected track will start.

**To stop play**

Press □.

**When playback ends**

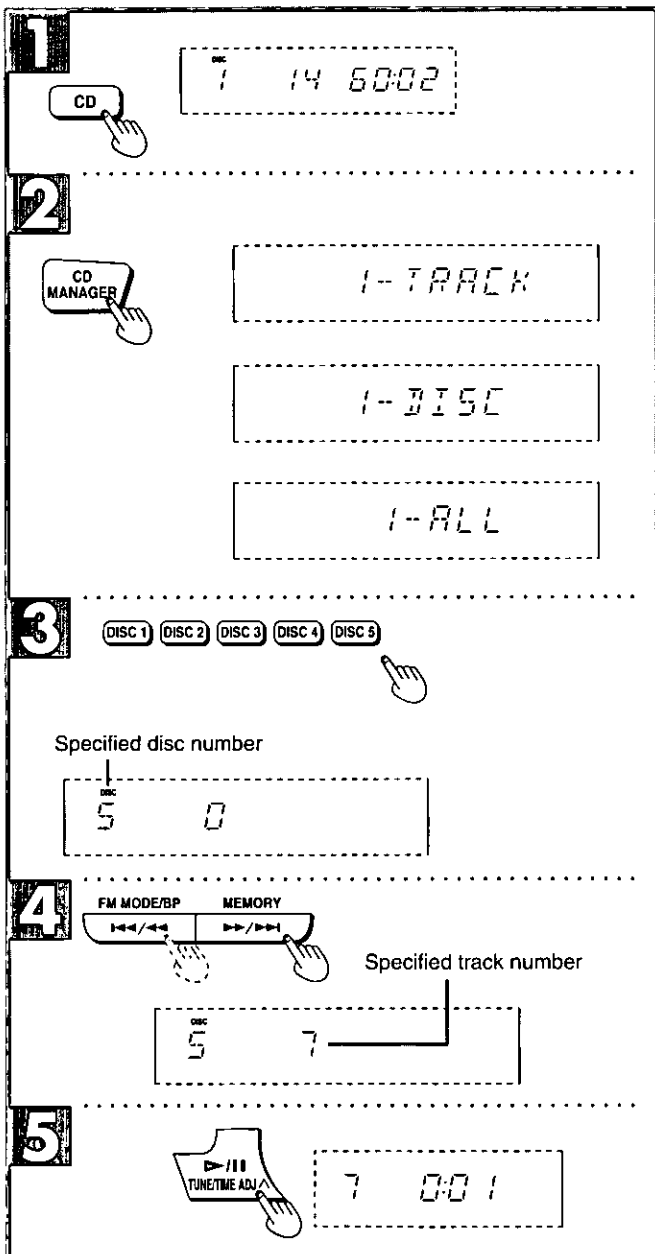
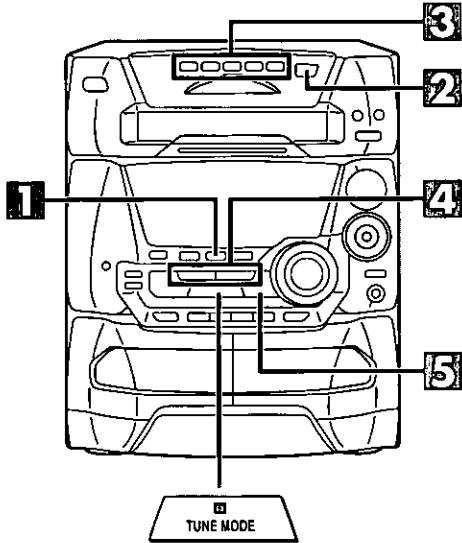
"NORMAL" will appear on the display for about 3 seconds, then the CD MANAGER function will turn OFF automatically.

**During play in the 1-ALL mode:**

- It is not possible to skip back to a CD whose track has already been played.
- If a CD does not have the designated track number, it is skipped and play continues.

**Note**

You can use the repeat function (page 15) and random play (page 15) at the same time. However, in 1-TRACK mode, random play is not available.



## Listening to tapes

**Type of tape which can be played correctly:**  
The unit automatically identifies the type of tape.

NORMAL POSITION/TYPE I	○
HIGH POSITION/TYPE II	○
METAL POSITION/TYPE IV	○

You can use either deck 1 or deck 2 for tape playback.

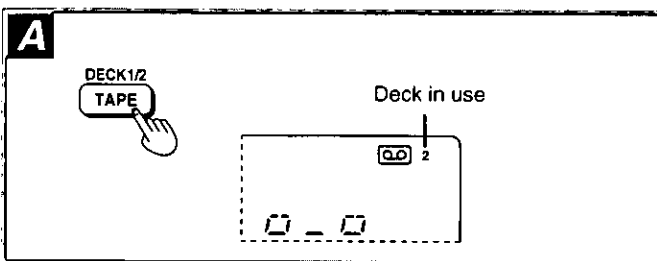
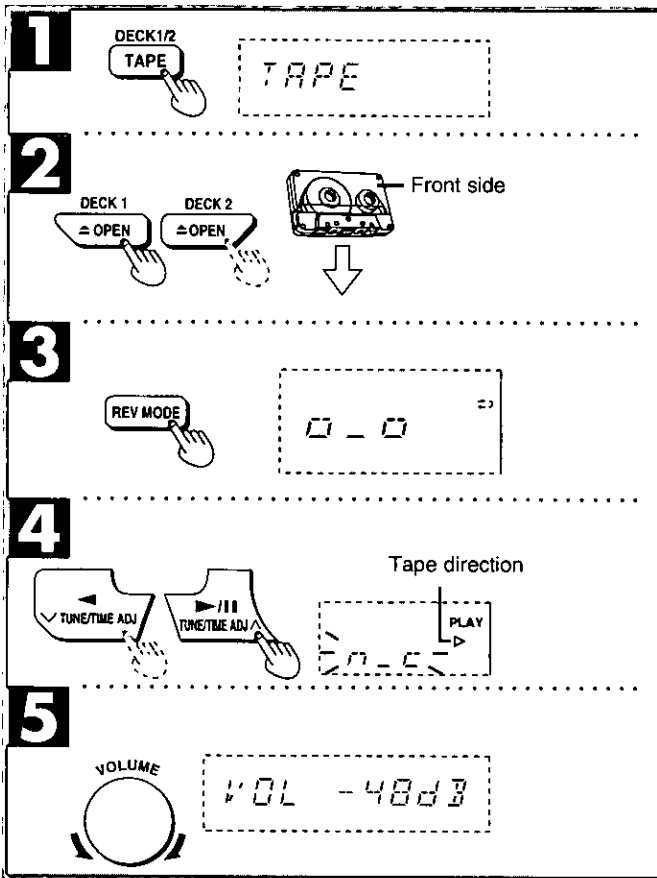
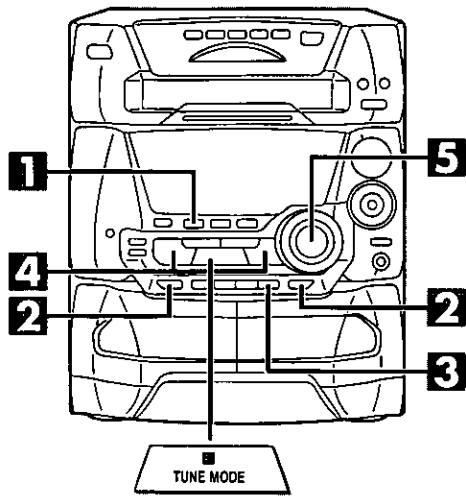
- 1 Press TAPE.**  
The power will come on automatically.
- 2 Press DECK 1 ▲ OPEN or DECK 2 ▲ OPEN and insert the tape.**  
Insert the tape with the exposed tape facing down.  
Close the holder by hand.
- 3 Press REV MODE to select the reverse mode.**  
Every time you press the button;
  - ⇄: One side is played, then playback stops automatically.
  - ⇄⇄: Both sides (front side→reverse side) are played one time each, then playback stops automatically.
  - ⇄⇄⇄: Both sides are played 8 times each, then playback stops automatically.
- 4 Press ◀ or ▶ to start playback.**
  - ▶: The forward side (front side) will play.
  - ◀: The reverse side will play.
- 5 Adjust the volume level.**

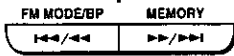
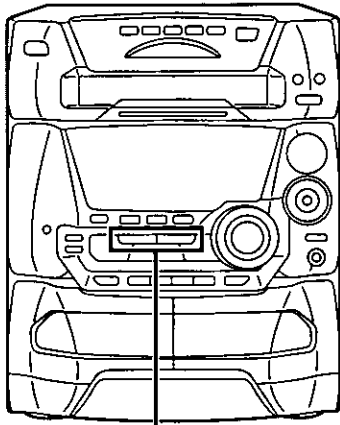
**To stop tape playback**  
Press ■.

**To change the deck to be used **A****  
Press TAPE DECK 1/2 to select the deck you want to use when you load cassettes into both decks.

**To listen to 2 tapes consecutively**  
Load a tape into each deck and select ⇄⇄. Both tapes will be played 8 times each.

**Note**  
Playback is interrupted while playing back tapes, if you open the other deck.





## Listening to tapes

### To fast-forward or rewind the tape

Press **⏮/⏪** or **⏭/⏩** in the stop mode.

Tape direction	To rewind	To fast-forward
▶	⏮/⏪	⏭/⏩
◀	⏭/⏩	⏮/⏪

### To find the beginning of a program (TPS: Tape Program Sensor)

Press **⏮/⏪** or **⏭/⏩** during play.

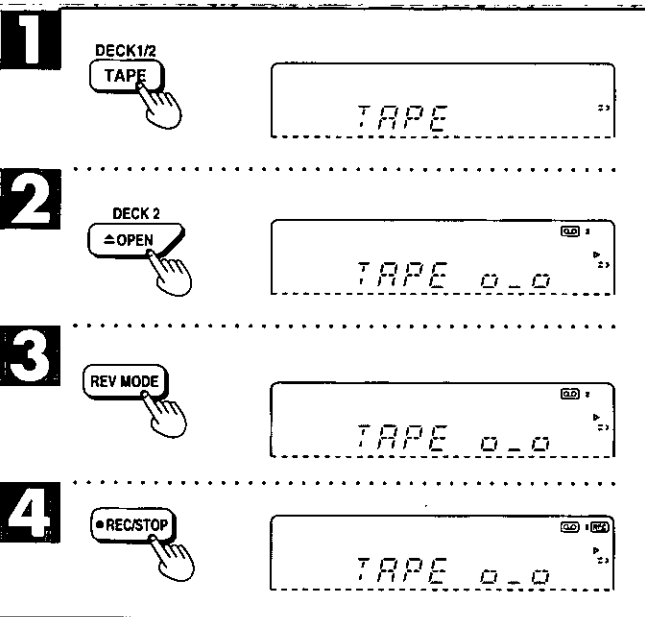
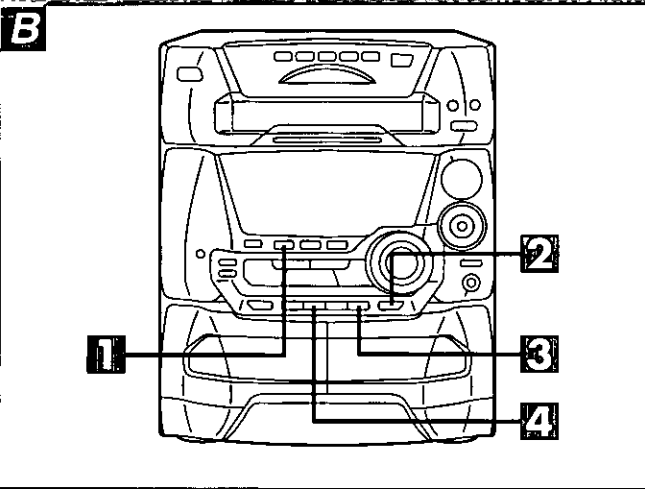
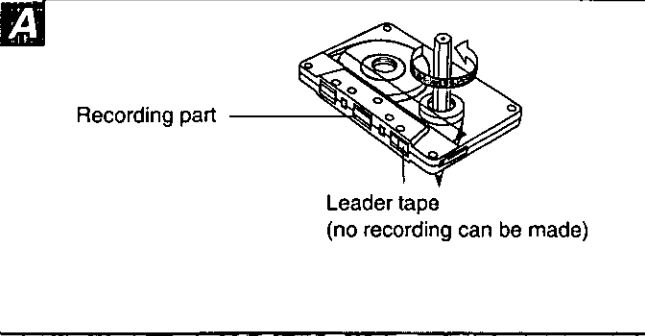
Tape direction	To play the current tune from the beginning	To play the next tune from the beginning
▶	⏮/⏪	⏭/⏩
◀	⏭/⏩	⏮/⏪

#### Note:

The TPS function searches for silent parts of about 4 seconds in length which are normally found between tunes. As a result, it may not function properly in the following cases

- With short silent parts
- When noise occurs between tunes
- With silent parts found within tunes

## Before recording (Deck 2 only)



### Types of tapes which can be recorded correctly

The unit automatically identifies the type of tape.

NORMAL POSITION/TYPE I	○
HIGH POSITION/TYPE II	○
METAL POSITION/TYPE IV	×

This system cannot make a recording or erasing correctly, if metal position tapes are used.

### To record from the beginning of the tape **A**

You cannot record on the leader part of the tape. Before recording, wind the tape past the leader to a point where recording can start immediately.

### How volume, sound quality/field and super woofer affect recording

The tape you are recording is not affected whatsoever by changes in volume, sound quality/field or super woofer.

- In recording, sound quality/field are set automatically to "FLAT".
- You can change volume and super woofer effect for the playback sound.

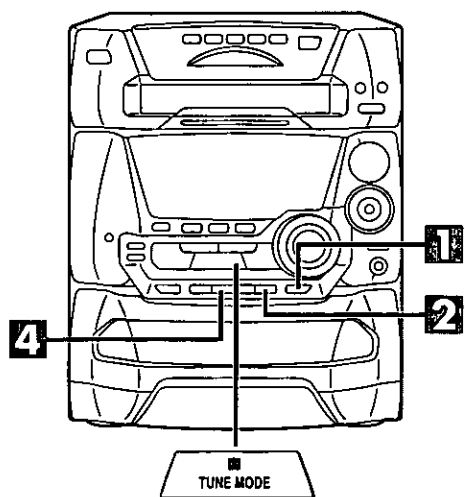
### To erase a recorded sound **B**

- 1** Press TAPE.
- 2** Insert the recorded tape into deck 2.
- 3** Press REV MODE to select reverse mode.
- 4** Press REC/STOP.

#### Note

- You cannot open deck 1 while recording.
- You cannot fast-forward or rewind one deck while recording with the other.

## Recording from radio broadcasts



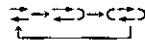
### 1 Press DECK 2 $\Delta$ OPEN and insert the tape.

Close the holder by hand.

Tape direction is automatically set to "▶".

### 2 Press REV MODE to select the reverse mode.

Every time you press the button;



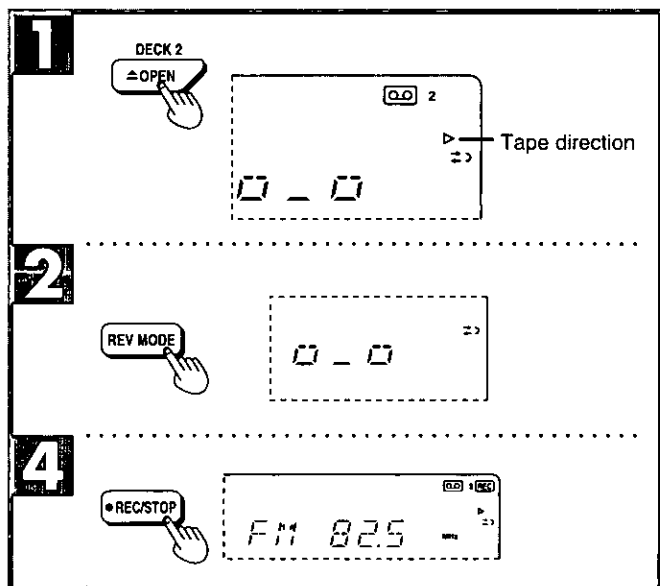
▶: One side is recorded, then recording stops automatically.

▶, ◀: Both sides (front side → reverse side) are recorded, then recording stops automatically.

### 3 Select a radio station. Perform steps 1 through 3 on page 12.

### 4 Press $\odot$ REC/STOP to start recording.

If you selected ◀ in step 2, the direction will automatically change to ▶ when recording starts.



#### To stop recording

Press  $\odot$  REC/STOP again.

Recording can also be stopped by pressing  $\boxtimes$ .

#### To start recording on the reverse side

Load a tape and change the tape direction as following.

1. Press TAPE DECK 1/2 and select tape deck 2.
2. Press ◀ and immediately thereafter  $\boxtimes$ . The tape direction will be shown as "◀".

#### To record from a specific point on a tape

Before recording, advance the tape to the point from where you want to start recording.

#### To cut an unnecessary part while recording

1. Press  $\odot$  REC/STOP during the unnecessary part. The cassette deck will go into the stop mode.
2. Press  $\odot$  REC/STOP to resume recording again.  
Recording will continue in the same direction as before.

#### [Note]

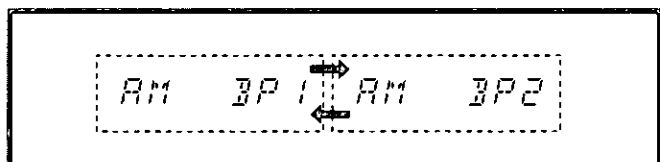
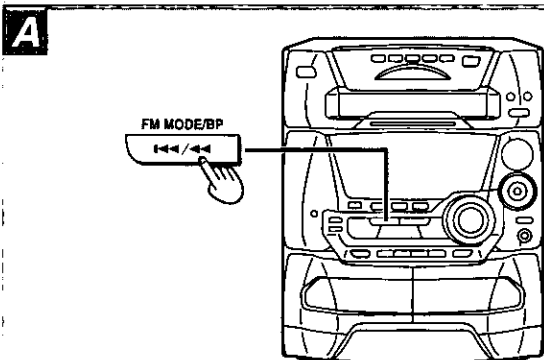
When recording an AM broadcast, sound is momentarily interrupted when you start and stop the recording.

#### To reduce noise while AM recording (Beat proof function) $\boxtimes$

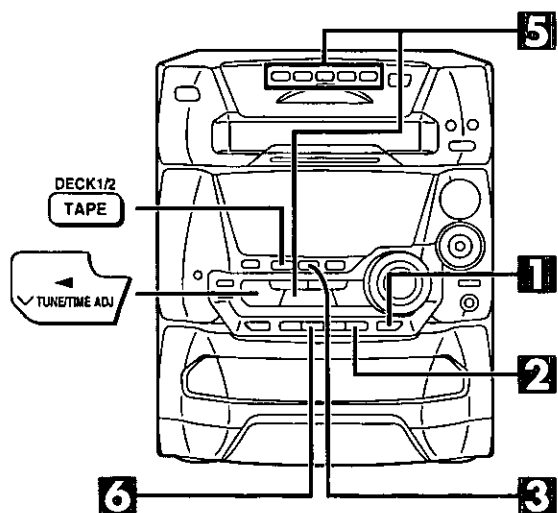
Press FM MODE/BP while recording.

Each time you press the button, BP 1 and BP 2 will be displayed alternately.

Select the position where there is less noise.



## Recording from compact discs

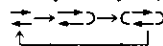


**1** Press **DECK 2**  $\blacktriangle$  **OPEN**, and then insert the tape.

Close the holder by hand.  
Tape direction is automatically set to "►".

**2** Press **REV MODE** to select the reverse mode.

Every time you press the button;



◄: One side is recorded, then recording stops automatically.

↔, ↔: Both sides (front side→reverse side) are recorded, then recording stops automatically.

**3** Press **CD**.

**4** Load CDs into each of the trays.

(See page 13.)

**5** Press **DISC 1–DISC 5** to select the disc you want.

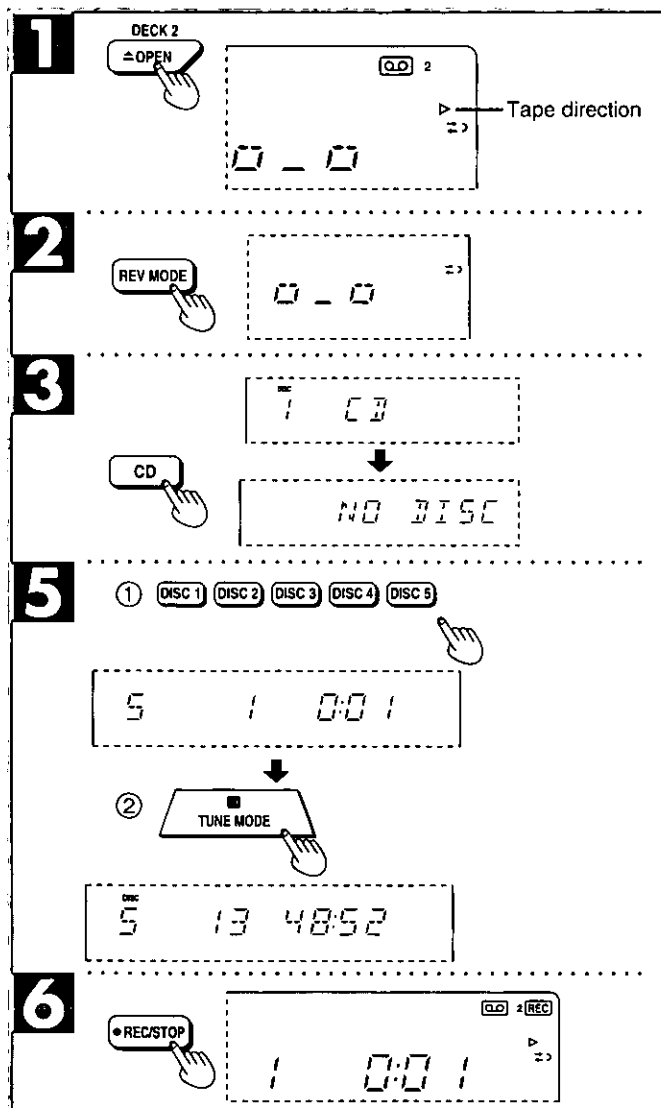
Pressing  $\blacksquare$  will stop playback.

**6** Press  $\bullet$  **REC/STOP** to start recording.

• If you selected (↔) in step 2, the direction will automatically change to (◄) when recording starts.

• The recording will proceed from the first track on the selected CD and will continue on through the last track of the final disc (page 14).

• The tape deck stops automatically when the CD is finished.



### To stop recording

• To add a 4 second silent interval before stopping.

Press  $\blacksquare$ . The CD will stop automatically too.

• To stop recording without a silent interval.

Press  $\bullet$  **REC/STOP**. The CD will stop automatically too.

### To start recording on the reverse side

Load a tape and change the tape direction as following.

1. Press **TAPE DECK 1/2** and select tape deck 2.

2. Press  $\blacktriangleleft$  and immediately thereafter  $\blacksquare$ . The tape direction will be shown as " $\blacktriangleleft$ ".

### To record from a specific point on a tape

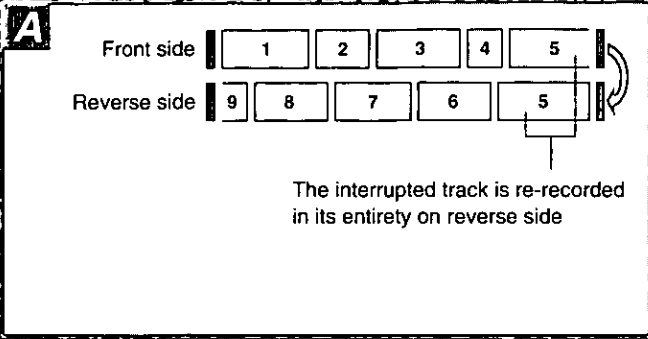
Before recording, advance the tape to the point from where you want to start recording.

### To record programmed tracks

1. After step 4, program the track you want (performs steps 2–6 on page 16.)

2. Press  $\bullet$  **REC/STOP** to start recording.

## Recording from compact discs



### To record special CDs and tracks (CD Manager function)

This function makes it easier for you to select special CDs and tracks from amongst those loaded in the player.

- While recording, if a track is cut off in the middle at the end of the front side, it is re-recorded from the beginning, on the reverse side.

**A**

- At the end of the reverse side, recording stops and the current track will be interrupted.

#### Before recording

Prepare the tape you want to use. Performs steps 1 through 2 on page 22.

**1** Press CD.

**2** Press CD MANAGER to select the desired mode.

Every time you press the button;

1-TRACK → 1-DISC → 1-ALL

← NORMAL →  
(OFF)

1-TRACK: Only one particular track is recorded.

1-DISC: The tracks on only one particular disc are recorded.

1-ALL: The same track numbers on each of the CDs are recorded in succession.

(NORMAL: The original display is restored in about 3 seconds.)

**3** Press DISC 1-DISC 5 to select the disc you want.

**Note**

This step is not required if 1-All was selected in step 2.

**4** Press ◀◀/▶▶ or ▶▶/▶▶ to select the desired track.

**Note**

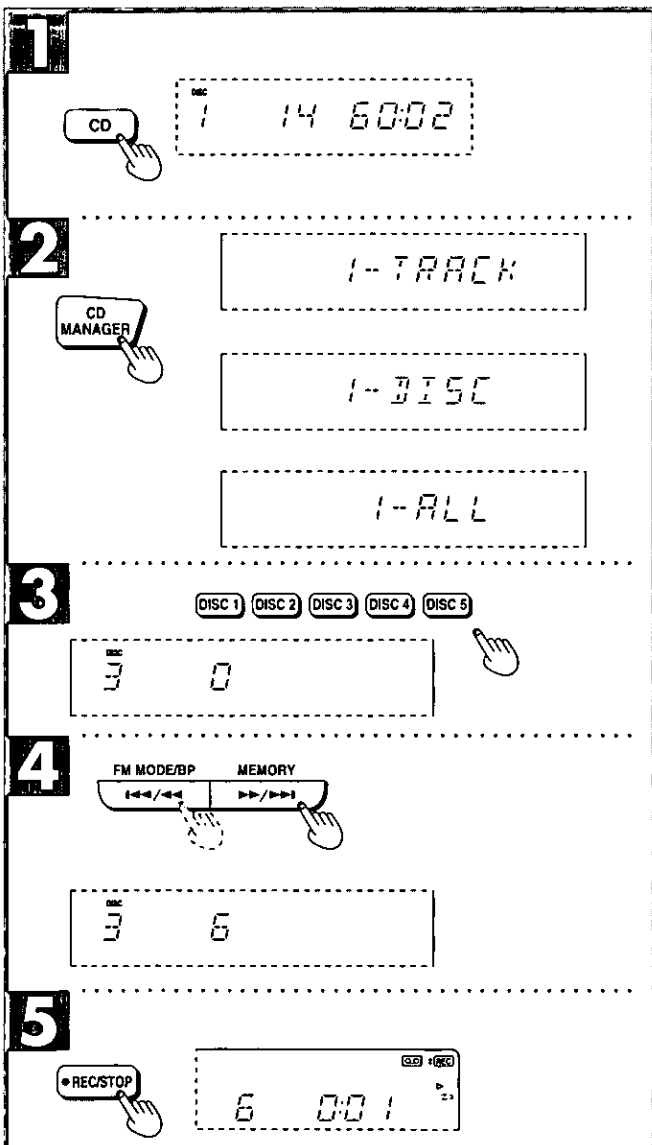
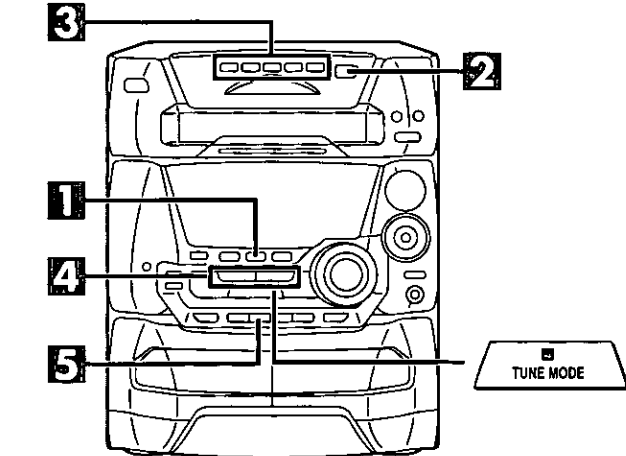
This step is not required if 1-DISC was selected in step 2.

**5** Press ● REC/STOP to start recording.

#### To stop recording

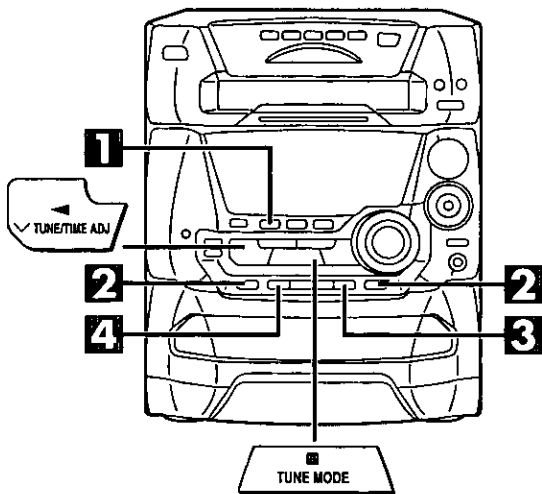
- To add a 4 second silent interval before stopping Press **■**. The CD will automatically stop too.

- To stop recording without a silent interval Press **●** REC/STOP. The CD will stop automatically too.



## Tape-to-tape recording

The recording level will be recorded as they are on the tape being played back.



### 1 Press TAPE.

### 2 Press $\triangle$ OPEN on both decks and insert the tapes.

For playback: Into deck 1

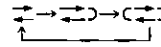
For recording: Into deck 2

Close the holders by hand.

Tape direction is automatically set to "►".

### 3 Press REV MODE to select the reverse mode.

Every time you press the button;



►: One side is recorded, then recording stops automatically.

►►, ◄◄: Both sides (front side → reverse side) are recorded, then recording stops automatically.

### 4 Press TAPE EDIT to start recording.

• If you selected ◄◄ in step 3, the direction will automatically change to ►► when recording starts.

#### To stop recording:

Press  $\blacksquare$ .

Both decks will stop.

#### To start recording on the reverse side

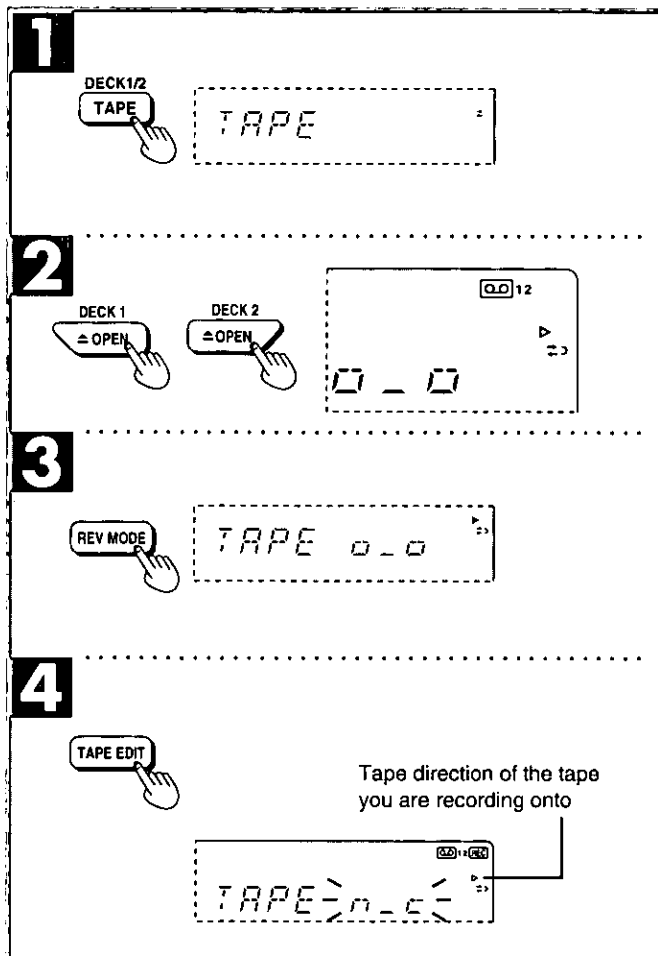
Load a tape and change the tape direction as following.

1. Press TAPE DECK 1/2 and select tape deck 2.

2. Press  $\triangleleft$  and immediately thereafter  $\blacksquare$ . The tape direction will be shown as "◄".

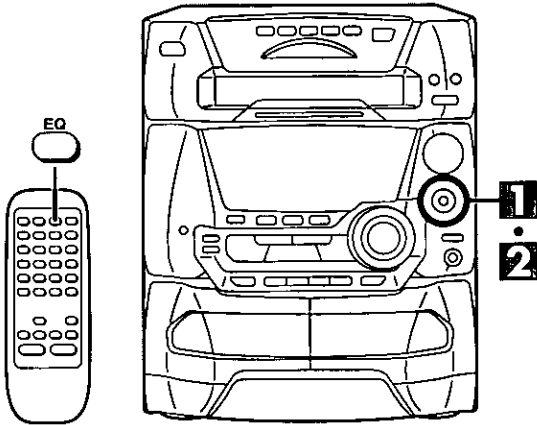
#### To record from a specific point on a tape

Before recording, advance the tape to the point from where you want to start recording.





## Using the built-in sound quality/ sound field settings



- 1** Press **SOUND EQ** joystick to turn on the equalizer.

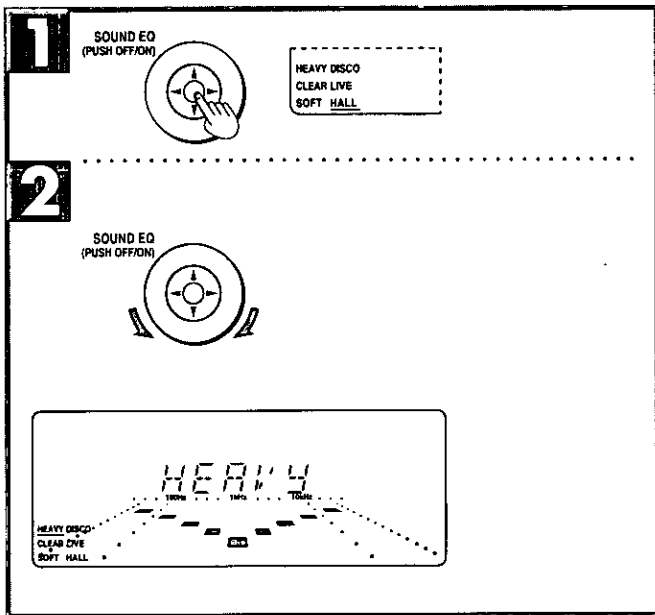
The **SOUND EQ** lamp lights more brightly, and "FLAT" is cleared.

- 2** Dial **SOUND EQ** to select the sound quality or sound field.

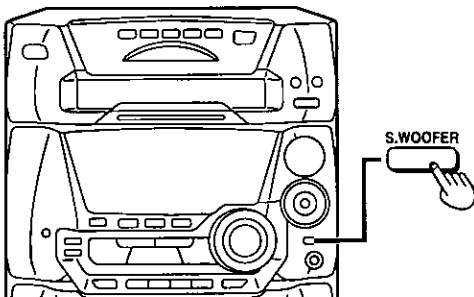
When it is turned clockwise, the settings are selected in the following sequence.

- ① **HEAVY (sound quality)**  
Select this when playing rock or other kinds of music that sound better with an added punch.
- ② **CLEAR (sound quality)**  
Select this for jazz or other kinds of music for which clarity in the treble range is desired.
- ③ **SOFT (sound quality)**  
Select this when listening to background music.
- ④ **DISCO (sound field)**  
Select this to produce sound with the same kind of lengthy reverberations heard at a disco.
- ⑤ **LIVE (sound field)**  
Select this to make vocals more alive.
- ⑥ **HALL (sound field)**  
Select this to add an expansiveness to the sound to produce the atmosphere of a great concert hall.
- ⑦ **MANUAL (see page 27)**
- ⑧ **AI EQ (see page 26)**

The original display is restored on the display panel in about 5 seconds. The sound quality/sound field setting can be changed as long as the **SOUND EQ** is on.



**A**



### To release the equalizer

Press **SOUND EQ** joystick so that "FLAT" is displayed.

When using the remote control to perform the operations described above  
Press **EQ**.

Each time this button is pressed, the setting is changed in the sequence given in step 2. Note that after "MANUAL" is displayed, "FLAT" is selected.

## Boosting the super woofer **A**

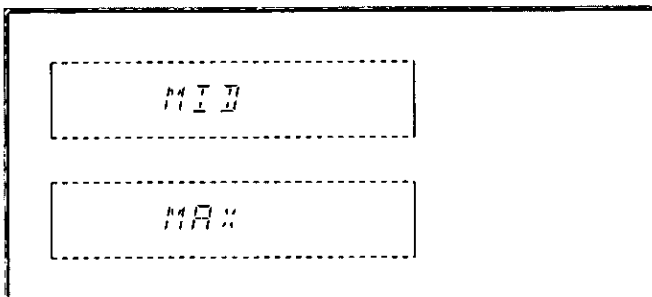
### Press **S.WOOFER**.

◦When listening to the sound through the speakers  
MID (medium) → MAX (high) → Light off (OFF)

◦When listening to the sound through the headphones  
Light on (ON) ⇄ Light off (OFF)

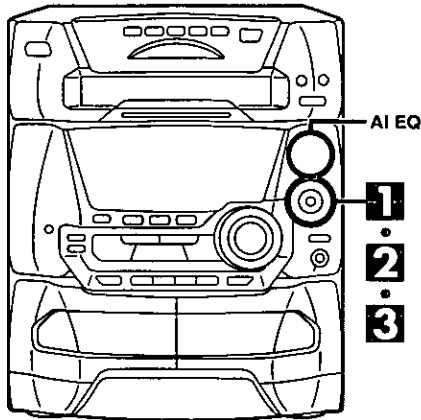
### Note

All recordings are performed at the flat setting even if an alternative sound quality/sound field setting has been selected and the super woofer effect is set to ON.



## Varying the sound quality with the acoustic image (AI) equalizer

The AI equalizer uses the SOFT, SHARP, HEAVY and LIGHT sound quality coordinates to achieve subtle sound quality settings with ease.



### 1 Press SOUND EQ joystick to turn on the equalizer.

The SOUND EQ lamp lights more brightly, and "FLAT" is cleared.

### 2 Dial SOUND EQ to display "AI EQ."

When it is turned clockwise, the settings are selected in the following sequence.

- ① HEAVY
- ② CLEAR
- ③ SOFT
- ④ DISCO
- ⑤ LIVE
- ⑥ HALL
- ⑦ MANUAL
- ⑧ AI EQ

### 3 Operate SOUND EQ joystick and set the sound quality as desired.

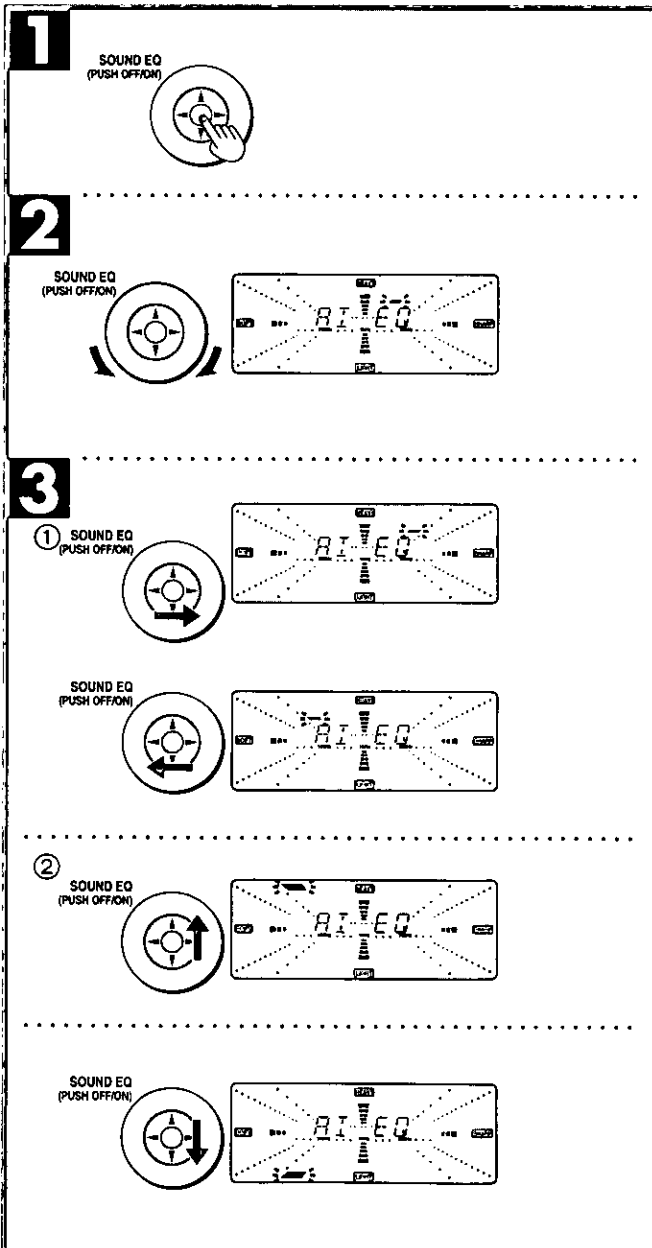
① ← → direction: SOFT-SHARP setting

② ↓ ↑ direction: HEAVY-LIGHT setting

Repeat steps ① and ② to set the desired sound quality.

The original display is restored on the display panel in about 5 seconds. Only one AI EQ lamp lights to give a rough indication of the coordinate position.

The sound quality can be re-selected using SOUND EQ while the lamp is lighted.



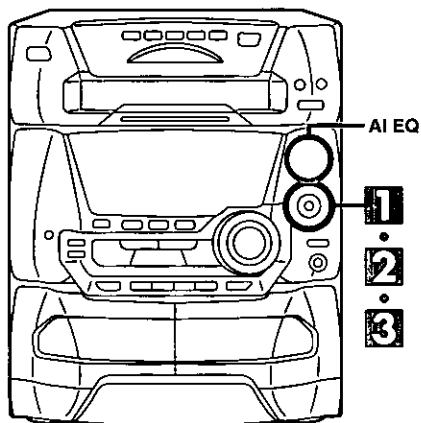
### To release the equalizer

Press SOUND EQ joystick so that "FLAT" is displayed.

#### Note

- The sound quality setting is stored automatically. It is recalled when "AI EQ" is next selected.
- All recordings are performed at the flat setting even if an alternative sound quality setting has been selected.

## Varying the sound quality with the manual equalizer



### 1 Press SOUND EQ joystick to turn on the equalizer.

The SOUND EQ lamp lights more brightly, and "FLAT" is cleared.

### 2 Dial SOUND EQ to display "MANUAL."

When it is turned clockwise, the settings are selected in the following sequence.

- ① HEAVY
- ② CLEAR
- ③ SOFT
- ④ DISCO
- ⑤ LIVE
- ⑥ HALL
- ⑦ MANUAL
- ⑧ AI EQ

### 3 Operate SOUND EQ joystick and set the sound quality as desired.

① ← → direction: For selecting the range of the sound to be adjusted

#### Characteristics of each sound range

Under 100 Hz: Super woofer range

Around 330 Hz: Bass to midrange

Around 1 kHz: Midrange

Around 3.3 kHz: Midrange to treble

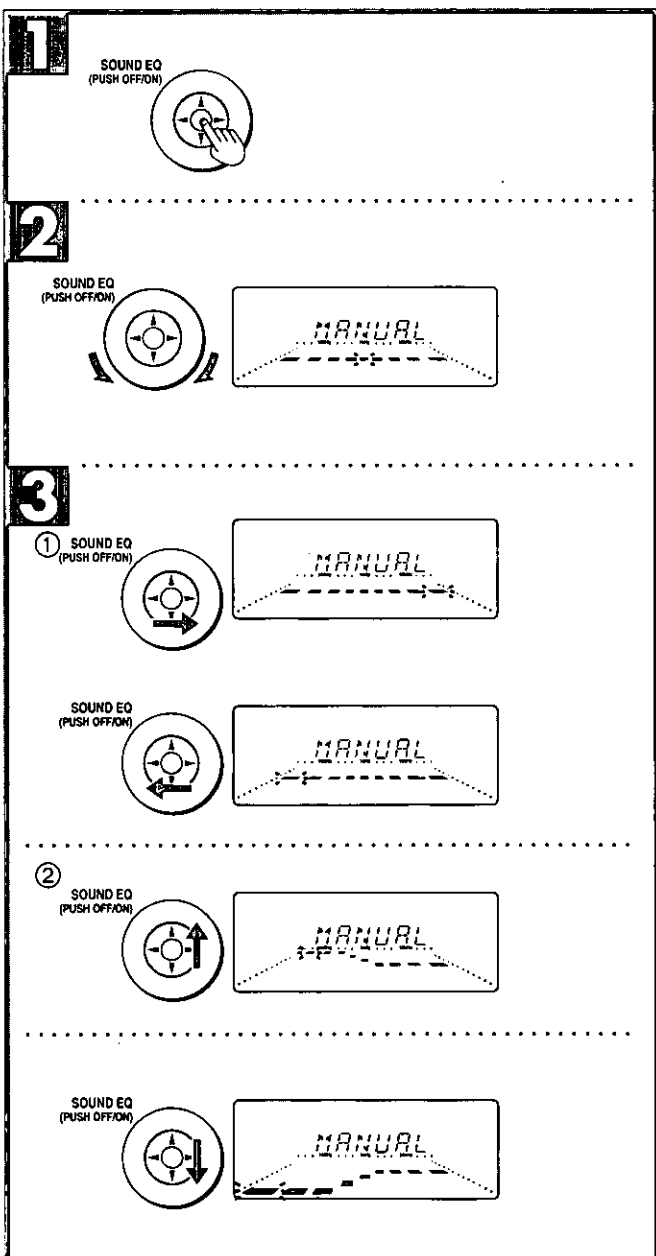
Above 10 kHz: Treble

② ↓ ↑ direction: For adjusting the level (7 steps)

When the level is in the center, the dot flashes rapidly. Repeat steps ① and ② to set the desired sound quality.

The original display is restored on the display panel in about 5 seconds. When the manual equalizer is ON, all four AI EQ lamps light.

The sound quality can be re-selected using SOUND EQ while the lamp is lighted.



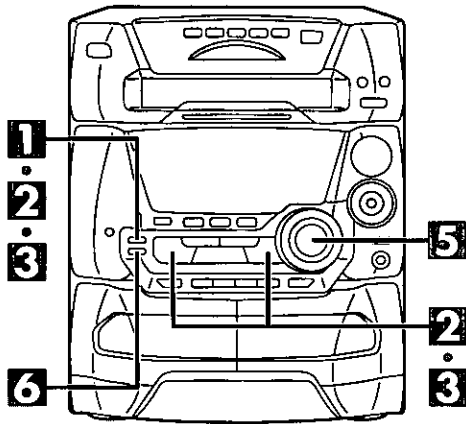
### To release the equalizer

Press SOUND EQ joystick so that "FLAT" is displayed.

#### Note

- The sound quality setting is stored automatically. It is recalled when "MANUAL" is next selected.
- All recordings are performed at the flat setting even if an alternative sound quality setting has been selected.

## Using the timer



## Using the play timer

Select this timer when you want to use the timer as an alarm clock. You can wake up listening to music (CD, tuner, tape or aux) at a desired volume level and time.

### Preparations

- Make sure that you have completed "Setting the time" on page 10.
- Switch on the power.

The figure shows how to set the play timer to play a CD from 6:30 a.m. to 7:40 a.m.

### 1 Press CLOCK/TIMER to select "⊙ PLAY".

Every time you press the button;

CLOCK → ⊙ PLAY → ⊙ REC  
 ↑ Previous display ↓

### 2 "ON" time setting

(Within 8 seconds or so)

- 1 Press  $\vee$  or  $\wedge$  to select the starting time.
- 2 Press CLOCK/TIMER.

### 3 "OFF" time setting

- 1 Press  $\vee$  or  $\wedge$  to select the ending time.
- 2 Press CLOCK/TIMER.

### 4 Source selection

Select the desired source and then prepare for playing.

**To play CD(s)**

Press CD and insert CD(s).

If more than 1 CD is loaded

Press DISC 1-DISC 5 to select the CD you want to hear first, and press  $\blacksquare$ .

### Note

Disc selection does not become part of the timer memory.

**To play tape(s)**

Press TAPE and insert tape(s).

If tapes are loaded in both decks, playback will start from deck 2.

**To play the radio**

Press TUNER and tune in the desired station.

**To play a unit connected to the "AUX" terminals**

Press AUX.

### 5 Play volume setting

Set the playback volume.

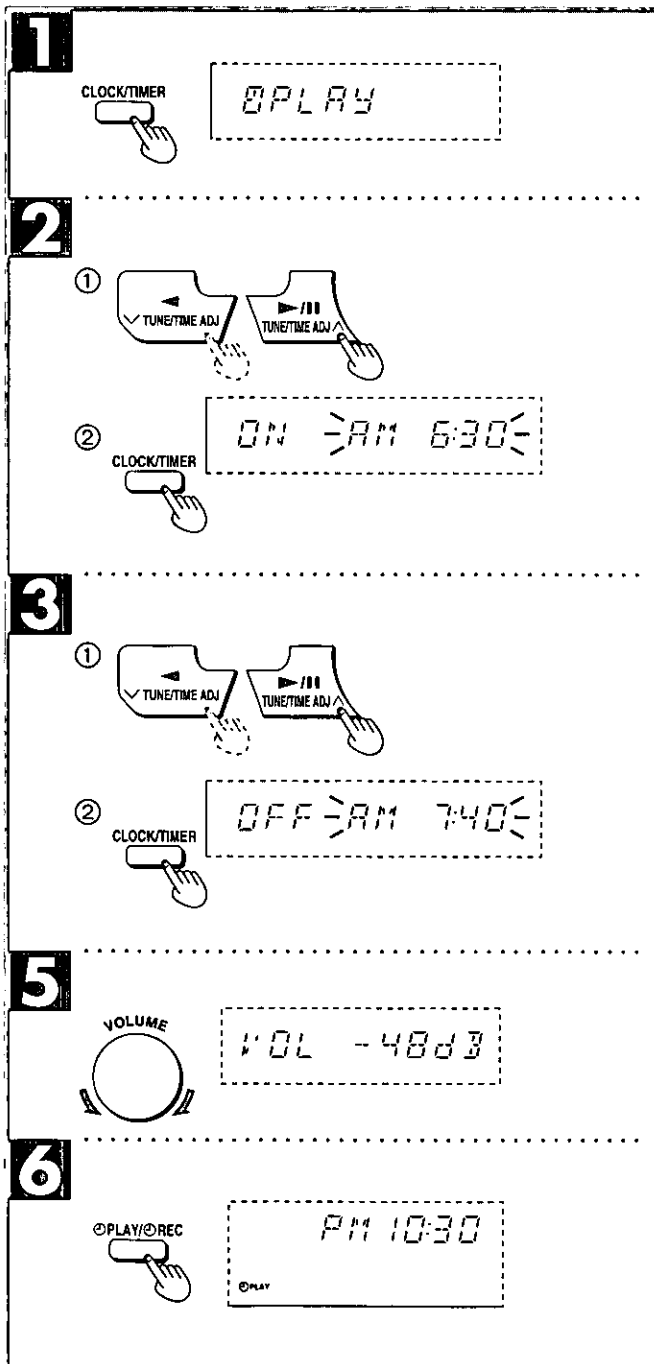
### 6 Press ⊙ PLAY/⊙ REC to select "⊙ PLAY".

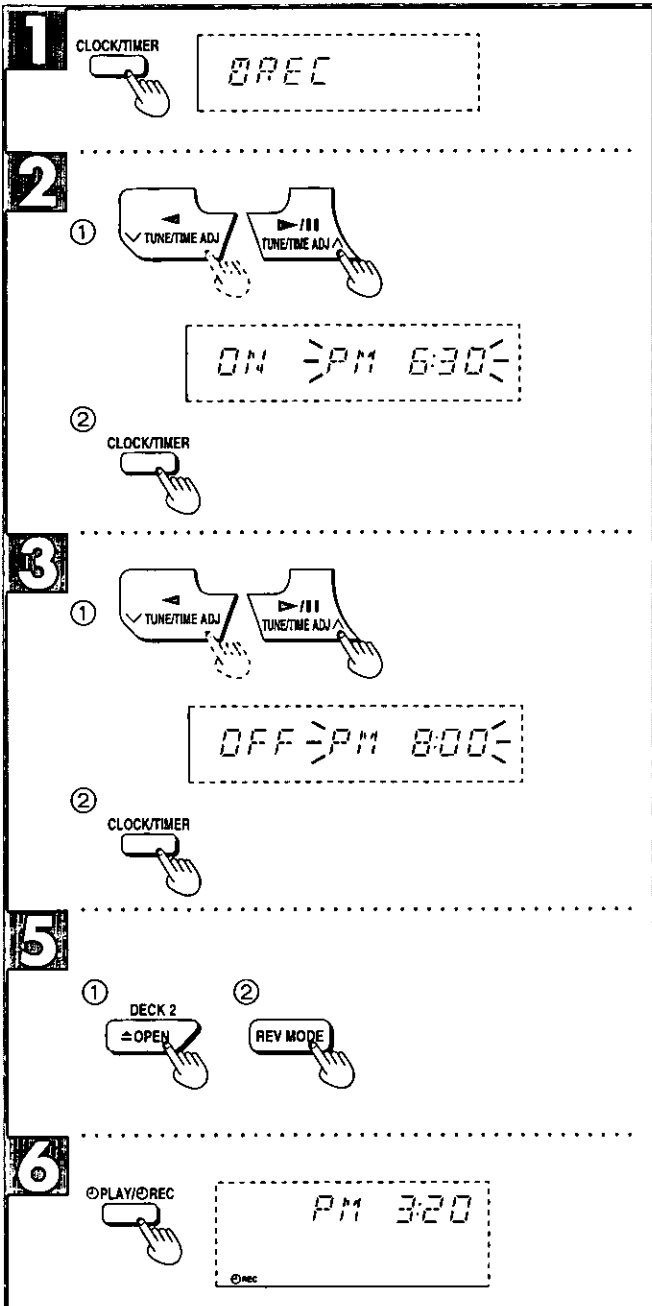
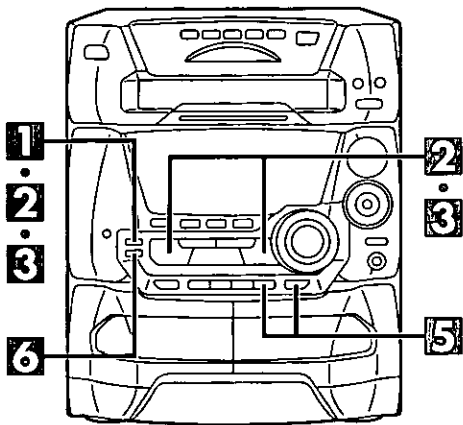
Every time you press the button;

⊙ PLAY → ⊙ REC  
 ↑ Out (OFF) ↓

Power will shut OFF automatically in a few seconds.

The timer play will start at the preset time with volume increasing gradually up to the volume level you preset.





## Using the timer

## Using the record timer

Select this timer when you want to use the timer to record a mid-night program or while you are out.

### Preparations

- Make sure that you have completed "Setting the time" on page 10.
- Switch on the power.

Set the timer at least 2 minutes before you want to start recording.

The figure shows how to set the record timer for recording FM broadcasts from 6:30 p.m. to 8:00 p.m..

### 1 Press CLOCK/TIMER to select "⊙ REC".

Every time you press the button;

CLOCK → ⊙ PLAY → ⊙ REC  
 ↑ Previous display ←

### 2 "ON" time setting

(Within 8 seconds or so)

- 1 Press  $\nabla$  or  $\blacktriangle$  to select the starting time.
- 2 Press CLOCK/TIMER.

### 3 "OFF" time setting

- 1 Press  $\nabla$  or  $\blacktriangle$  to select the ending time.
- 2 Press CLOCK/TIMER.

### 4 Source selection

Select the desired source and then prepare for recording.

To record from the radio

Press TUNER to select the band and tune in the desired station.

To record from a unit connected to the "AUX" terminals  
 Press AUX.

### 5 Prepare for recording.

1. Insert a tape into deck 2 with the side on which the recording will start facing you.
2. Select the reverse mode.

### Note

Reverse mode does not become part of the timer memory.

### 6 Press ⊙ PLAY/⊙ REC to select "⊙ REC".

Every time you press the button;

⊙ PLAY → ⊙ REC  
 ↑ (OFF) ←

Power will shut OFF automatically in a few seconds.

About 30 seconds before the set time, the stereo mutes all sound automatically.

## Using the timer

## Using the play/record timer

### To switch the timer OFF

Press  $\odot$  PLAY/ $\odot$  REC and check " $\odot$  PLAY" (for play timer) or " $\odot$  REC" (for record timer) goes out.

### If you set the timer incorrectly

Repeat the procedure from step 1.

### To check settings

Press CLOCK/TIMER to select " $\odot$  PLAY" (for play timer) or " $\odot$  REC" (for record timer).

Two seconds later, the display will change in the following order.

- For play timer
  - ① Play start time
  - ② Play end time
  - ③ Play source and playback volume
- For record timer
  - ① Recording start time
  - ② Recording end time
  - ③ Recording source

You can check the settings even when the system is OFF.

### To enjoy the desired source after the timer setting is completed

The volume level and music source are stored in the timer memory and the timer will start in these preset conditions. However, the Disc numbers and reverse mode do not get stored in the timer memory.

1. After step 6, turn on the power and start playing the desired source.
2. Reset the Disc number and reverse mode if you have changed any of them, confirm that a Disc or cassettes is inserted, then press POWER to put the unit on standby.

### Turning the timer ON/OFF

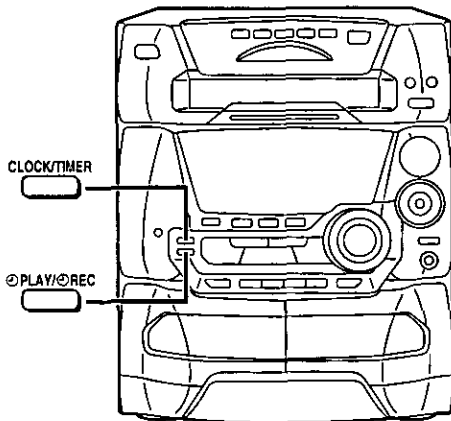
As long as " $\odot$  PLAY" or " $\odot$  REC" is displayed, the timer will come ON everyday as set.

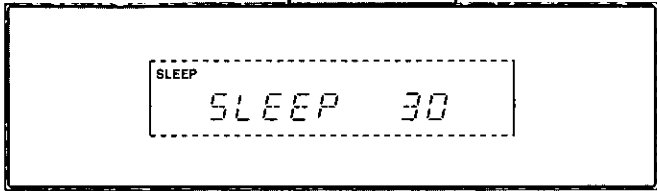
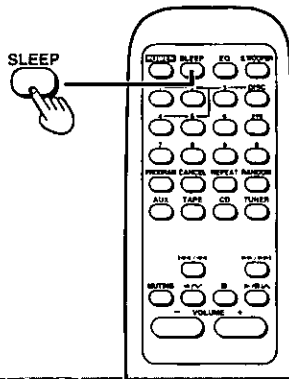
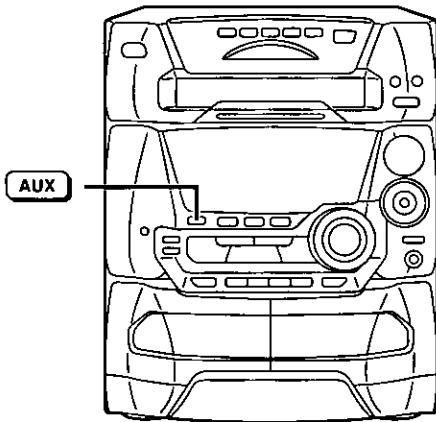
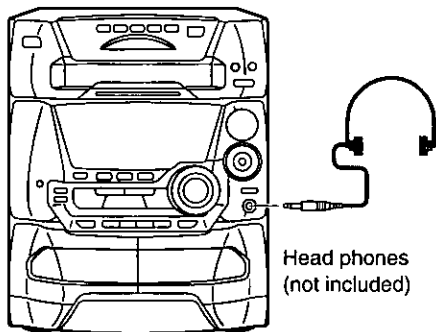
You can turn the timer ON/OFF by pressing  $\odot$  PLAY/ $\odot$  REC while the system is OFF.

Remember that when " $\odot$  PLAY" or " $\odot$  REC" is displayed, the timer is ON. When not displayed, the timer is OFF.

### Note.

- If the power is on, the timer will not function. The system must be in the standby mode.
- If you switch the power to the standby mode while the play/record timer is functioning, the OFF time setting will not be activated.
- If AUX is selected as the source, when the timer comes ON, the system will turn ON and will engage "AUX" as the source. If you want to playback or record from a connected component, set the component's timer to the same time. (See the instruction manual that came with the component.)
- The play timer cannot be used in combination with the record timer.



**A****B****C**

## Using the timer

### Using the sleep timer

**A**

This timer turns power to your system OFF at the set time (Max. 2 hours, settable at 30 minutes mark). It lets you fall asleep while listening to music.

**[by remote control only]**

#### Preparations

- Make sure that you have completed "Setting the time" on page 10.
- Switch on the power.

The figure shows how to set the system to standby mode after 30 minutes.

#### While enjoying the desired source:

Press SLEEP to select the desired time.

Every time you press the button;

→ 30 → 60 → 90 → 120 → OFF →

The system is turned off after the set time has elapsed.

#### To cancel the sleep timer:

Press SLEEP to select "OFF".

#### To confirm the remaining time:

(only while power is ON)

Press SLEEP.

#### To change the time remaining during operation:

Press SLEEP to show the remaining time then press SLEEP to select the desired time.

#### [Note]

- The sleep timer turns OFF automatically the moment you attempt to edit-record a CD using CD Manager function.
- The sleep timer can be used in combination with the play/record timer.  
The sleep timer always has priority.  
Be sure not to overlap timer settings.

## Using an external unit

### Listening to an external source

(See page 7 for external unit connection.)

1. Press AUX.  
The power will come on automatically.
2. Start playback from the external source. (For details, refer to the owner's manual of the equipment.)

### Recording from an external source

1. Follow steps 1–2 on page 21.
2. Press AUX.
3. Press **REC/STOP** (recording starts).
4. Start playback from the external source. (For details, refer to the owner's manual of the equipment.)

### Listening with headphones

Reduce the volume level, and connect the headphones.  
Plug type: 3.5 mm stereo

#### [Note]

Avoid listening for prolonged periods of time to prevent hearing damage.

Timer

Reference

## Convenient functions

### One-touch play

When the system is on standby, playing starts automatically when you press one of the following buttons.

#### Listening to radio broadcasts

<b>TUNER</b>	The station heard previously is tuned in.
--------------	---

#### Listening to compact discs

<b>CD</b>	Play starts from track 1 of the CD played previously.
-----------	---

<b>DISC 1-DISC 5</b>	Play starts from track 1 on the selected CD.
----------------------	--

#### Listening to tapes

<b>TAPE</b>	Playback starts from deck 2 if tapes have been installed in both decks.
-------------	---

### Switching displays

Press **DISPLAY/DEMO** to select the desired spectrum analyzer.

Every time you press the button;

Aurora → (OFF) → Normal

↑ Peak hold ↓

### To mute the volume

**by remote control only**

This feature is convenient when you have a telephone call, etc.

**Press MUTING.**

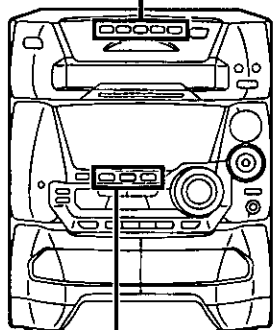
Press the button again to cancel.

"MUTING" goes out.

Muting can also be cancelled by lowering the volume all the way (-dB).

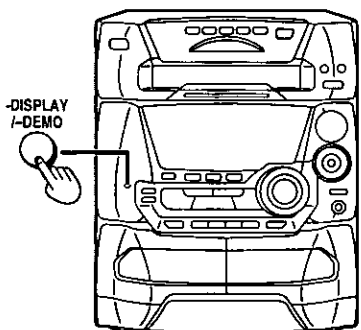
When the system is turned off, the muting operation will be automatically cancelled.

DISC 1 DISC 2 DISC 3 DISC 4 DISC 5

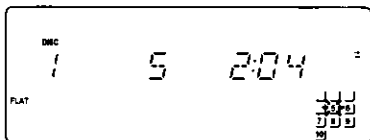
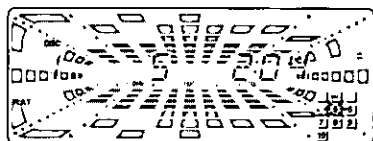


DECK1/2 TAPE BAND CD TUNER

**B**

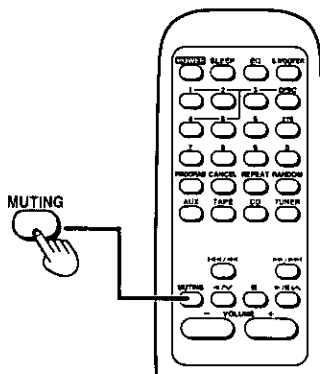


-DISPLAY /-DEMO



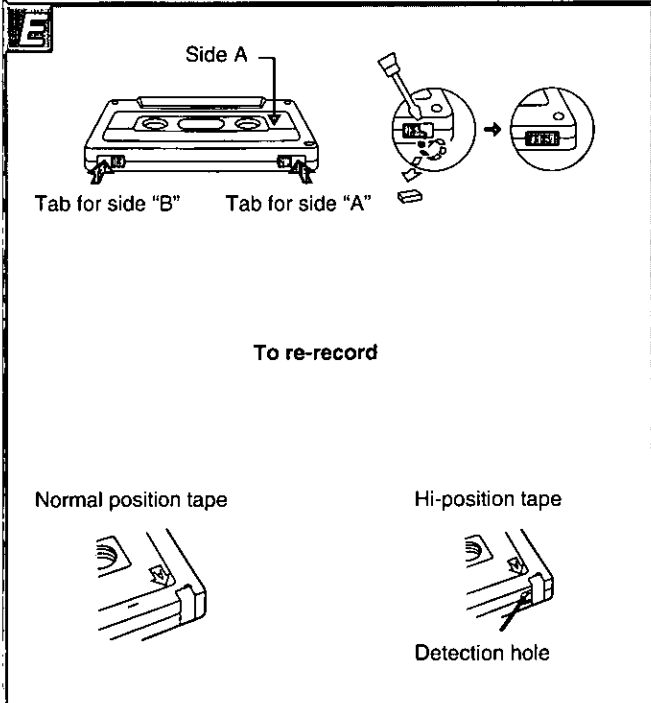
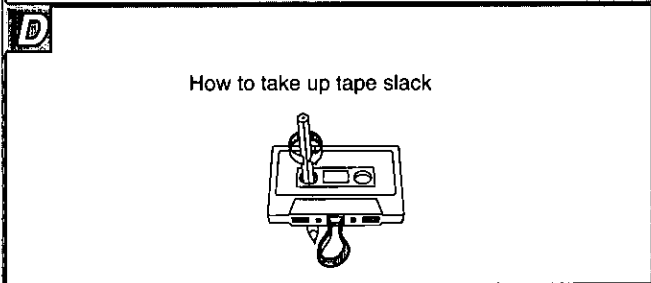
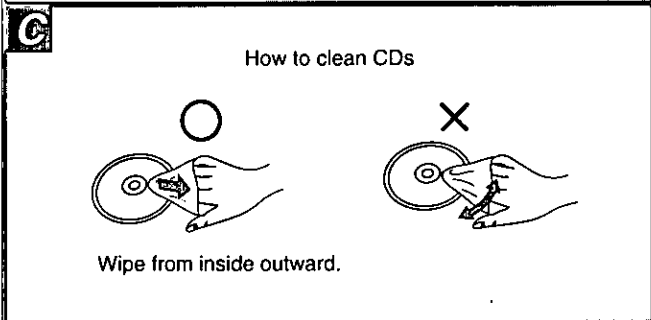
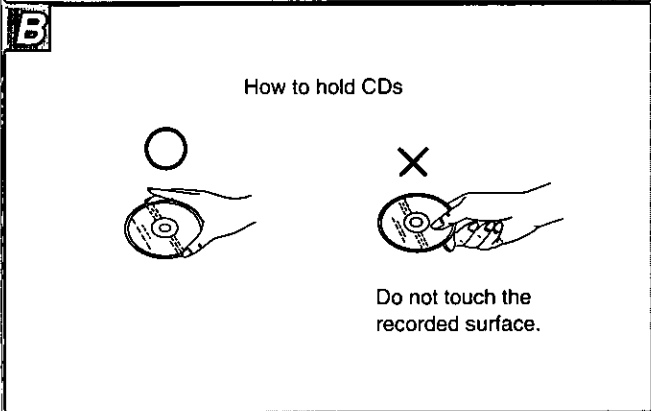
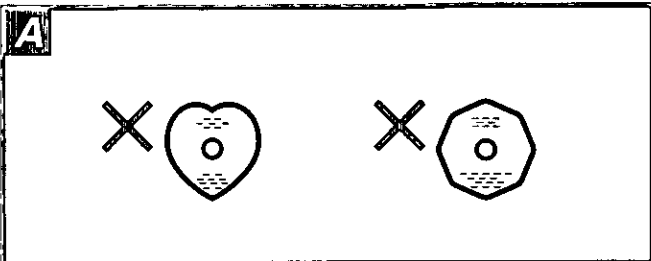
In the off mode no spectrum analyzer will appear.

**C**



MUTING





## Concerning CDs

With this system, you can only play CDs having this mark.  
However, do not use irregular shape CDs (heart-shape, octagonal, etc.). CDs of the sort can damage the unit. **A**



## Handling precautions

Be sure to handle CDs according to the precautions shown on the left (**B-C**). Failure to do so may damage the CD or the unit.

- If you are taking the CD from a cold to a warm environment, moisture may form on the CD. Wipe this off with a soft, dry, lint-free cloth before using the CD.
- Do not write on the label side with a ball-point pen or other writing instrument.
- Do not use record cleaning sprays, benzene, thinner, static electricity prevention liquids or any other solvent.
- Do not attach labels or stickers to CDs. (Do not use CDs with exposed adhesive from tape or left over peeled off stickers.)
- Do not use scratch-proof protectors or covers other than those specified for use with this system.

## Storage precautions

Be sure to store CDs in their cases to protect them from dust, scratches, and warping.

Do not place or store CDs in the following places

- Locations exposed to direct sunlight
- Humid or dusty locations
- Locations directly exposed to a heat vent or heating appliance
- In the glove compartment or on the rear deck of an automobile

## Concerning cassette tapes

### Selection of cassette tapes

Tapes can get caught on the capstans. Use caution with the following types of tapes.

#### Cassette tapes exceeding 100 minutes

Tapes are made of a thin film material. Do not repeatedly advance and stop the tape, fast-forward it or rewind it.

#### Endless-tapes

For this unit, it is recommended to use tapes which are appropriate to the auto reverse mechanism.

Always read the instructions provided with your tapes.

### Tape slack **D**

Tape slack may cause the tape to break.

### Erasure prevention **E**

Use a screwdriver or similar object to break out the tab.

To re-record on a protected cassette

Cover the hole with adhesive tape.

Do not cover the detection hole on high-position tape.

### Storage precautions

Do not place or store tapes in the following places;

- In high temperature (35°C or higher) or high humidity (80% or higher) areas
- In a strong magnetic field (near a speaker, on top of a TV, etc.) This can erase a recording.
- Locations exposed to direct sunlight

# Troubleshooting guide

Before requesting service for this unit, check the chart below for a possible cause of the problem you are experiencing. Some simple checks or a minor adjustment on your part may eliminate the problem and restore proper operation.

If you are in doubt about some of the check points, or if the remedies indicated in the chart do not solve the problem, refer to the directory of Authorized Service Centers (enclosed with this unit) to locate a convenient service center, or consult your dealer for instructions.

(In U.S.A. consult PASC Authorized Servicenters for detailed instructions or call 1-800-211-7262 for the address of an authorized factory servicenter.)

Problem	Probable cause(s)	Suggested remedy	Reference page(s)
---------	-------------------	------------------	-------------------

Problems common to all systems			
There is no sound when the power is ON.	Volume is set too low.	Adjust the volume level with the volume control.	12, 14, 18
The location of the various musical instruments is not well defined.	The (+) and (-) connections to one of the speakers are reversed.	Connect the speaker cords correctly.	6
The left and right sounds are reversed.	The left and right connections to the speaker are reversed.	Connect the speaker cords correctly.	6
Low frequency sounds can not be heard.	Either the left or right LOW speaker cable is not connected.	Connect the left and right speaker cables to the LOW terminals.	6
When listening to the external unit, the left and right sounds are reversed.	The left and right connections to the external unit are reversed.	Connect the external unit's cord correctly.	7
There is no sound when a source is being played.	The (+) and (-) wire of the speaker cords are shorted.	Switch the system to the standby mode, and reconnect the speaker cords so that they are not shorted. Then switch on the power.	6
"ERROR" message appears on the display.	Wrong operation has been done.	Operate the unit correctly by following the operating instructions.	
"--:--" appears on the display.	<ul style="list-style-type: none"> <li>• You plugged the power cord in for the first time.</li> <li>• There was a power failure recently.</li> </ul>	Set the time.	10

While listening to FM broadcasts			
There is a "rushing noise" during a stereo broadcast which is not audible during a monaural broadcast.	The transmitting station is a long distance.	If you are using an indoor antenna, change to an outdoor antenna.	7
You hear excessive noise during a stereo broadcast, and occasionally the sound disappears.	The installation location and orientation of the antenna are unsuitable.		
The stereo indicator ("STEREO") flickers and does not light completely.	The transmitting station is a long distance.		
	The power of the TV set or VCR is ON.	Try switching off the TV set or VCR.	
The sound during a stereo broadcast is highly distorted.	There is a building or mountain nearby. [Distortion is caused by interference between the signal from the transmitting station (direct wave) and the signal reflected from the building or mountain (reflected wave).]	Use a high-grade outdoor antenna, and install it in a good location, height, and orientation for reception.	7

While listening to AM broadcasts			
You hear an unusual beat sound.	You are using the system at the same time you are playing a TV set.	Switch off the TV set, or use the system further away from it.	
You hear a low-frequency hum.	The antenna wire is near the power cord.	Separate the antenna wire from the power cord.	

Reference

Problem	Probable cause(s)	Suggested remedy	Reference page(s)
---------	-------------------	------------------	-------------------

When there is a television set nearby			
The picture on the TV disappears or stripes appear on the screen.	The location and orientation of the antenna are incorrect.	If you are using an indoor antenna, change to an outdoor antenna.	7
	The wiring at the back of the system is unsuitable.	Separate the antenna wire of the TV set from the system.	

When listening to tapes			
Sound is low, intermittent, poor quality, noisy, scratchy, or unsteady.	Heads are dirty.	Clean the heads.	35
The deck does not enter the recording mode.	The erase-prevention tabs are removed from the cassette.	Attach tape to cover the space left by removal of the erase-prevention tabs.	33

While listening to compact discs			
The display does not show the correct indication. Disc play does not start when you press the play button.	The disc label is upside down.	Set the disc with the label facing upward.	13
	The disc is dirty.	Wipe the disc with a soft cloth.	33
	The disc is scratched.	Replace the disc with a new one.	
	The disc is badly warped.		
	The disc is a nonstandard one.	Replace the disc with a different one.	33
There is condensation inside the CD changer.	Wait for 60 minutes before using the CD player.		
A certain music passage can't be played correctly.	The disc is dirty.	Wipe the disc with a soft cloth.	33

While using the remote control			
The system cannot be operated with the remote control.	The batteries are installed in the reverse polarity.	Re-insert the batteries in the correct polarity.	5
	The batteries are run-down.	Replace the batteries with new batteries.	5

## Maintenance

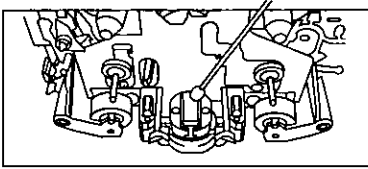
### If the surfaces are dirty

To clean this unit, wipe with a soft, dry cloth. If the surfaces are extremely dirty, use a soft cloth dipped in a soap-and-water solution or a weak detergent solution.

- Never use alcohol, paint thinner, benzene, or chemically treated cloths to clean this unit.
- Before using chemically impregnated cloth, read the instructions that came with the cloth carefully.

### For a cleaner crisper sound

We recommend that you periodically clean parts (the shaded portion in the figure below) the tape contacts like the heads. Do not use any solution other than alcohol for head cleaning.



Reference

## AMPLIFIER SECTION

<b>RMS power output</b>	
1% Total harmonic distortion	
80 Hz–12 kHz both channels driven	
	50 W per channel (6Ω)
<b>Input sensitivity</b>	
AUX	250 mV
<b>Input Impedance</b>	
AUX	10 kΩ

## FM TUNER SECTION

<b>Frequency range</b>	
	87.9–107.9 MHz (200 kHz steps)
	87.5–108.0 MHz (100 kHz steps)
<b>Sensitivity</b>	16.3 dBf (1.8 μV, IHF '58)
<b>Antenna terminal(s)</b>	75Ω (unbalanced)

## AM TUNER SECTION

<b>Frequency range</b>	
	520–1710 kHz (10 kHz steps)
<b>Sensitivity</b>	
S/N 20 dB	500 μV/m

## CASSETTE DECK SECTION

<b>Track system</b>	4 track, 2 channel
<b>Heads</b>	
Record/playback	Solid permalloy head
Erasure	Double gap ferrite head
<b>Motor</b>	DC servo motor
<b>Recording system</b>	AC bias 100 kHz
<b>Erasing system</b>	AC erase 100 kHz
<b>Tape speed</b>	4.8 cm/s (1-7/8 ips)
<b>Frequency response (+3, -6 dB) at</b>	
<b>DECK OUT</b>	
NORMAL (TYPE I)	35 Hz–14 kHz
HIGH (TYPE II)	35 Hz–14 kHz
<b>S/N</b>	50 dB (A weighted)
<b>Wow and flutter</b>	0.18% (WRMS)
<b>Fast forward and rewind times</b>	
	Approx. 120 seconds with C-60 cassette tape

## CD SECTION

<b>Sampling frequency</b>	44.1 kHz
<b>Decoding</b>	16 bit linear
<b>Beam source/wave length</b>	
	Semiconductor laser/780 nm
<b>Number of channels</b>	2 channels Stereo
<b>Frequency response</b>	
	20 Hz–20 kHz (+1, -2 dB)
<b>S/N</b>	CD UNIT OUT 95 dB (JIS A)
<b>Wow and flutter</b>	Below measurable limit
<b>Digital filter</b>	8 fs
<b>D/A converter</b>	MASH (1 bit DAC)

## SPEAKER SECTION

<b>Type</b>	2 way 2 speaker system
<b>Speaker(s)</b>	
Woofer	14 cm cone type
Fullrange	8 cm cone type
<b>Impedance</b>	Total 6Ω
<b>Input power</b>	Total 100 W (Music)
	Total 50 W (DIN)
<b>Output sound pressure level</b>	
	84 dB/W (1.0 m)
<b>Cross over frequency</b>	200 Hz
<b>Frequency range</b>	48 Hz–22 kHz (-16 dB)
	58 Hz–20 kHz (-10 dB)
<b>Dimensions (W×H×D)</b>	
	210×330×259 mm
	(8 <sup>9</sup> / <sub>32</sub> "×13"×10 <sup>3</sup> / <sub>16</sub> "
<b>Weight</b>	3.5 kg (7.7 lb.)

## GENERAL

<b>Power supply</b>	AC 120 V, 60 Hz
<b>Power consumption</b>	145 W
<b>Dimensions (W×H×D)</b>	
	270×336×347 mm
	(10 <sup>5</sup> / <sub>16</sub> "×13 <sup>7</sup> / <sub>32</sub> "×13 <sup>21</sup> / <sub>32</sub> "
<b>Weight</b>	7.5 kg (16.6 lb.)

### Notes:

- Specifications are subject to change without notice. Weight and dimensions are approximate.
- Total harmonic distortion is measured by the digital spectrum analyzer.

MASH is a trademark of NTT.

## Before moving or shipping this system

Prepare the system as described below to prevent damage to the mechanism.

- Remove all CDs.
- Press CD.
- Press □ for 5 more seconds. The display will change from "WAIT" to "LOCKED" to "GOOD BYE" and finally "ZZZ". Then, the unit will be turned OFF automatically. (This will set the so-called "shipping mode".)
- Unplug the stereo.

The shipping mode will turn OFF automatically when you turn the power ON the next time.

## Product Service

Do not attempt to remove the cover(s) or repair the unit yourself. Refer servicing to qualified personnel only.

### Product information

For product service, product information or assistance with product operation, refer to the servicenter directory.

Panasonic Consumer Electronics Company, Division of Matsushita Electric Corporation of America  
One Panasonic Way Secaucus, New Jersey 07094

Panasonic Sales Company, Division of Matsushita Electric of Puerto Rico, Inc. ("PSC")  
Ave. 65 de Infantería, Km. 9.5 San Gabriel Industrial Park, Carolina, Puerto Rico 00985

En